

# SS2 Series

Fingertip switching joystick

## MAIN FEATURES

- One or two axis
- 2, 4, or 8 way switching
- Single pole, off momentary contacts
- IP67 above panel sealed
- Rated up to 5A
- Made in the USA



The SS2 Series is a compact, single pole limit switch joystick intended for light to medium duty applications. No visible mounting hardware provides a clean aesthetic and IP67 above panel sealing. Limiting options include 2, 4, or 8-way operation with a high life cycle rating. The SS2 Series is an ideal joystick for limit switching applications requiring a small yet robust package.

## SPECIFICATIONS\*

MECHANICAL (X & Y) AXIS	
Angular travel:	24° total (12° each direction from center)
Expected life:	1M
Centering:	Momentary (spring return to center)
Mass/weight:	13 grams**
Switch mechanism:	Snap action
Suggested panel thickness:	.03" to .13"
Maximum vertical load:	80 lbF
Maximum horizontal load:	22 lbF

\* Specifications subject to change without notice

\*\* Approximate weight. Actual weight dependent on configuration

06132024mp



# SS2 Series

Fingertip switching joystick

## SPECIFICATIONS

ELECTRICAL	
Switch function:	Momentary
Nominal current:	5A
Maximum voltage:	250VAC
Contact material:	Silver
Electrical contact life:	Dependent on load (50K min)

ENVIRONMENTAL	
Operating temperature:	-20°C +85°C
Storage temperature:	-20°C +85°C
Above panel sealing:	IP67*

\* Above panel sealing. All configurations. Product is static, not in use

MATERIALS	
Plastic housing:	Mineral & glass filled nylon
Shaft:	360 brass
Handles/actuators:	Glass filled nylon or silicone
Boots:	Silicone (with tear resistant additive)

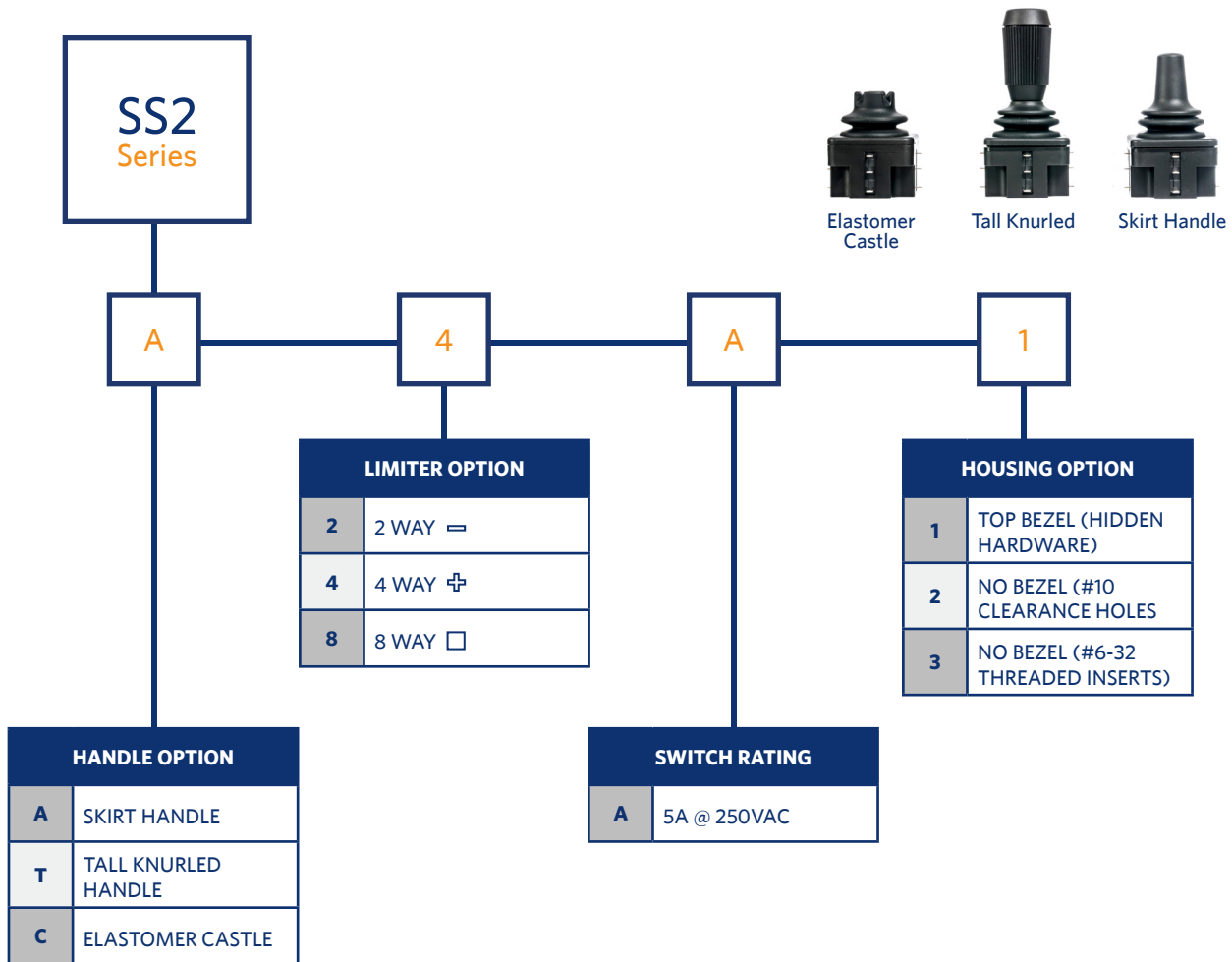
06132024mp



# SS2 Series

Fingertip switching joystick

## SS2 SERIES PART NUMBER CODE



06132024mp



# SS2 Series

Fingertip switching joystick

## ACUATOR OPTIONS



C: ELASTOMER CASTLE

T: TALL KNURLED

A: SKIRT HANDLE

## LIMITER OPTIONS



2: 2 WAY



4: 4 WAY



8: 8 WAY

06132024mp

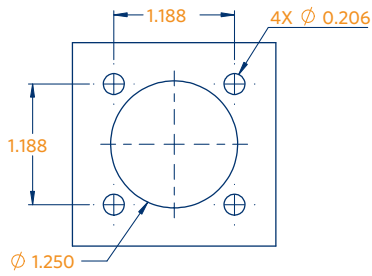


# SS2 Series

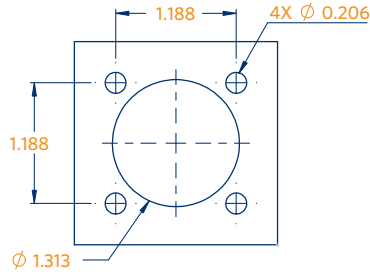
Fingertip switching joystick

## HOUSING AND MOUNTING OPTIONS WITH SKIRT HANDLE (OPTION A)

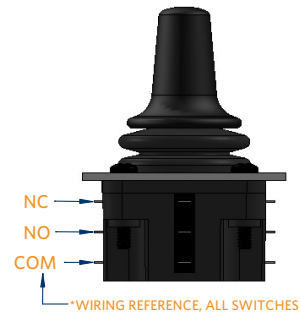
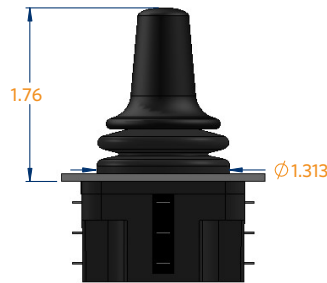
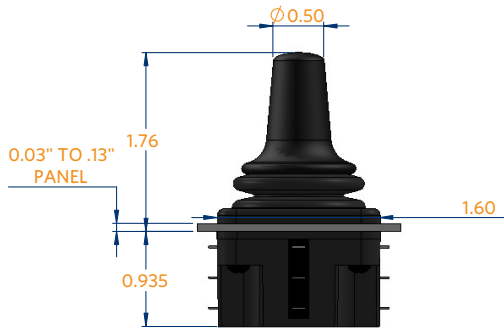
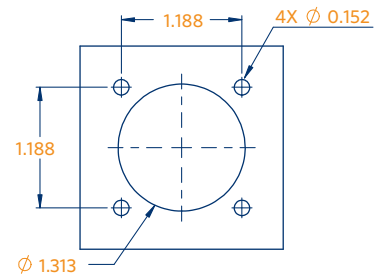
OPTION 1 MOUNTING  
(HARDWARE SUPPLIED)



OPTION 2 MOUNTING  
(NO BEZEL, #10 SCREWS, NOT SUPPLIED)



OPTION 3 MOUNTING  
(NO BEZEL, #6-32 THREADED INSERTS, HARDWARE SUPPLIED)



PANEL SHOWN FOR REPRESENTATION PURPOSES ONLY

06132024mp

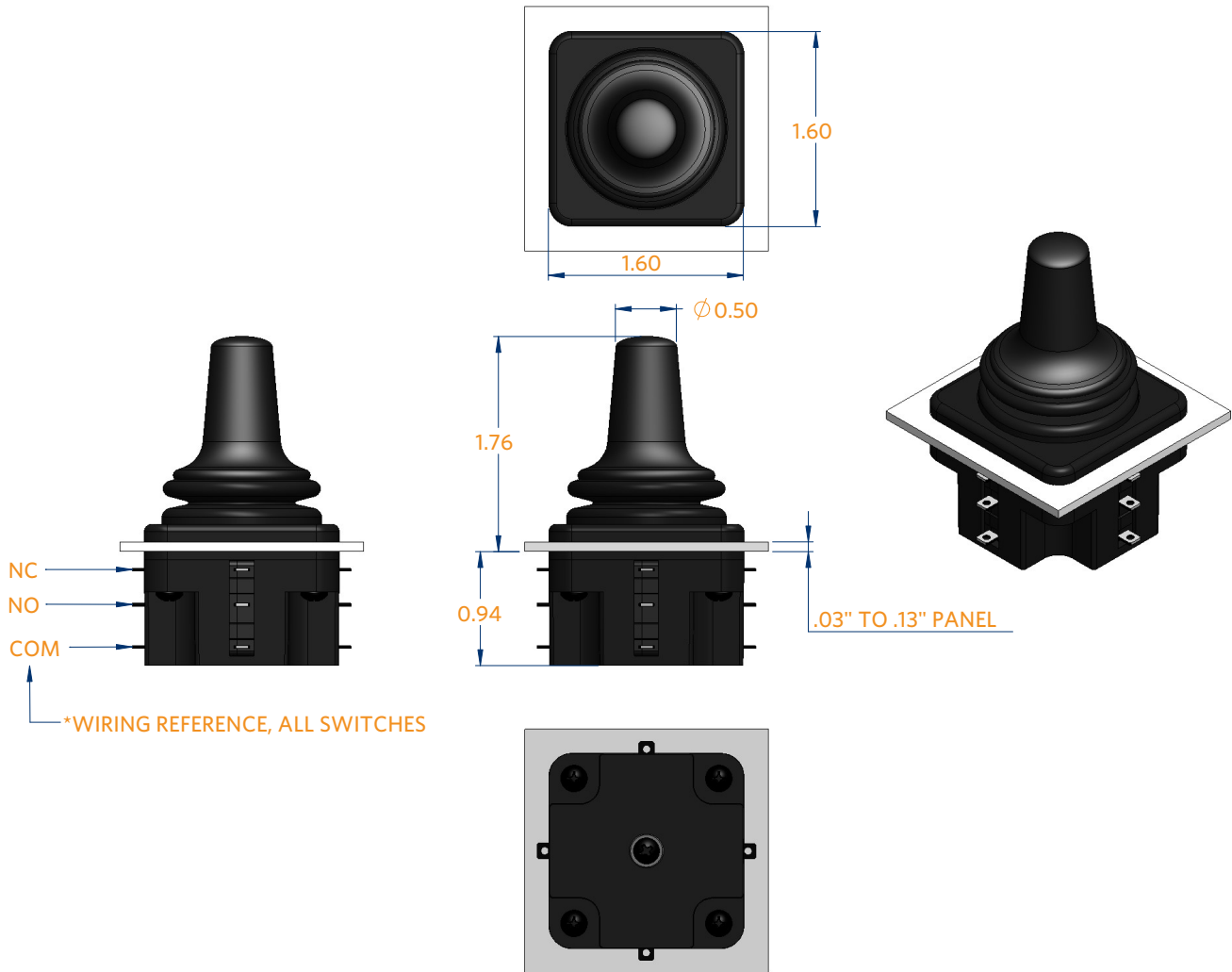
SCAN TO  
ORDER TODAY



# SS2 Series

Fingertip switching joystick

## SKIRT HANDLE (OPTION A)



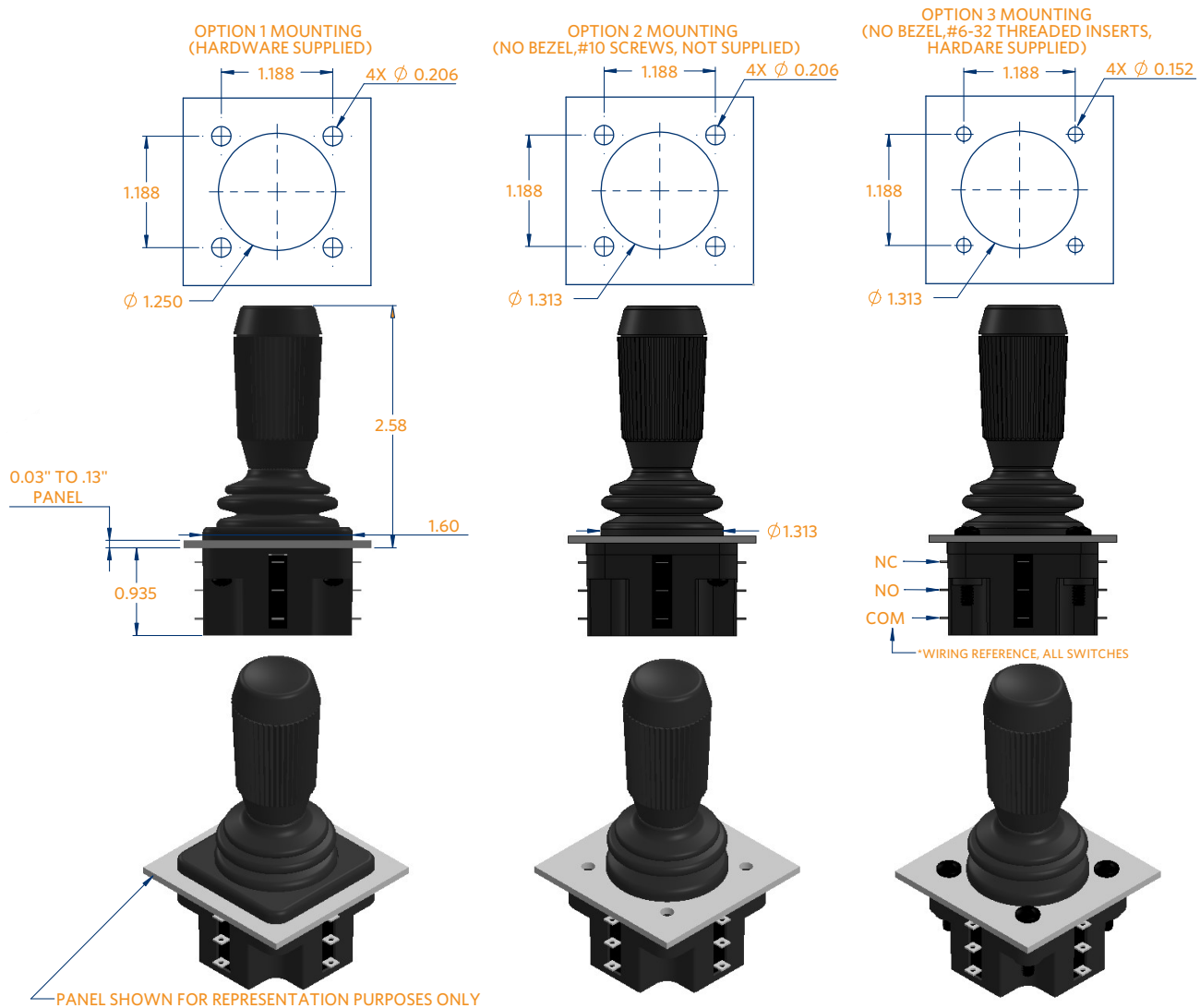
06132024mp



# SS2 Series

Fingertip switching joystick

## HOUSING AND MOUNTING OPTIONS WITH TALL KNURLED HANDLE (OPTION T)



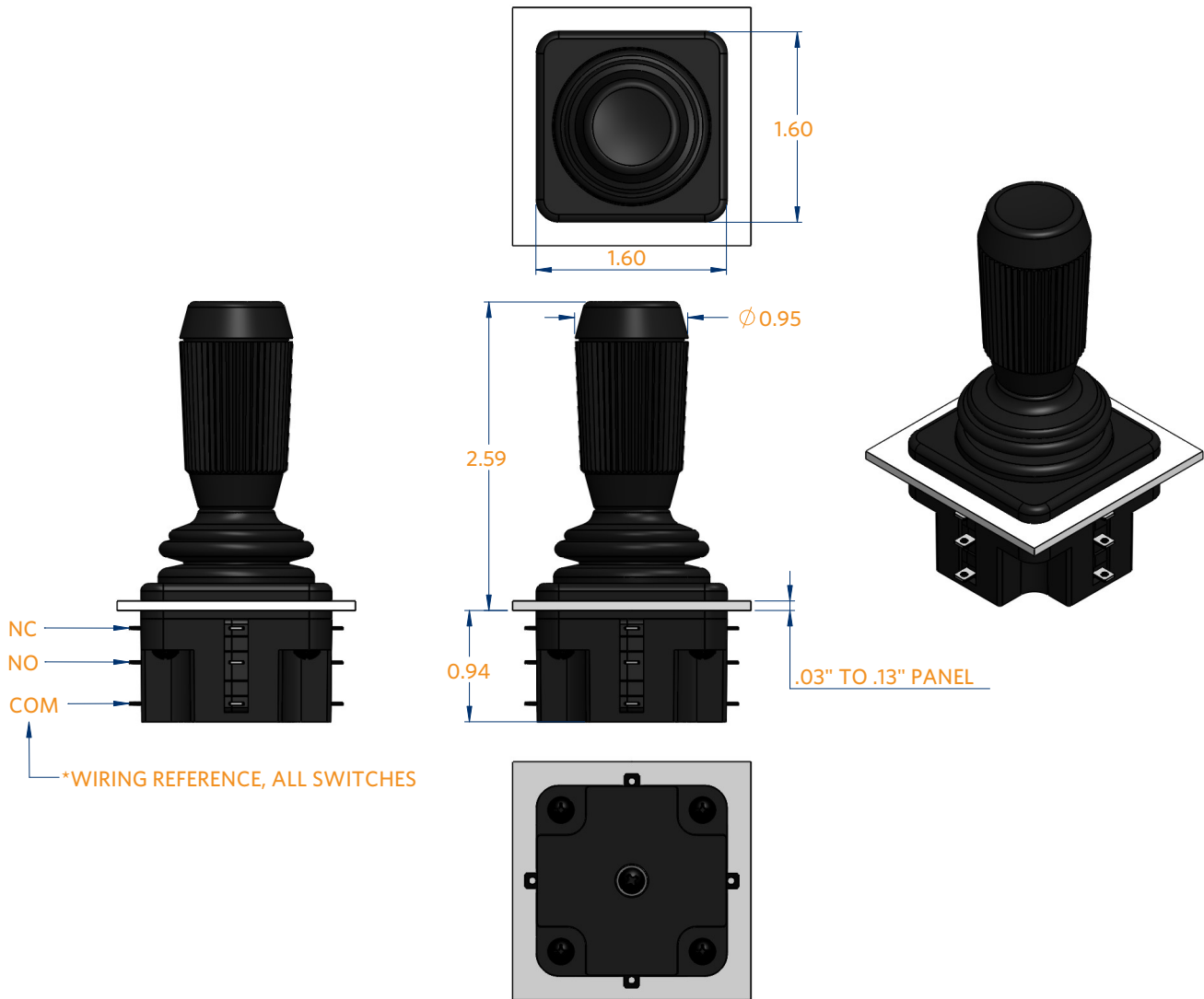
06132024mp



# SS2 Series

Fingertip switching joystick

## TALL KNURLED HANDLE (OPTION T)



06132024mp

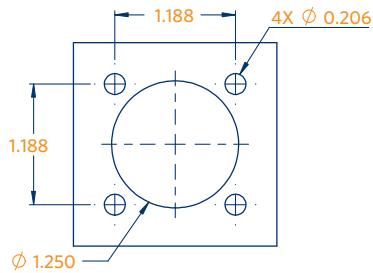


# SS2 Series

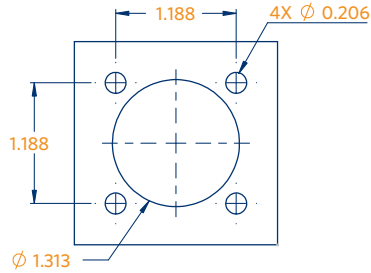
Fingertip switching joystick

## HOUSING AND MOUNTING OPTIONS WITH ELASTOMER CASTLE HANDLE (OPTION C)

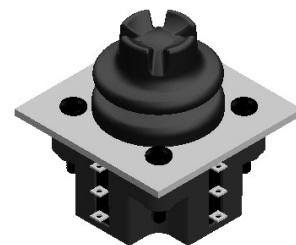
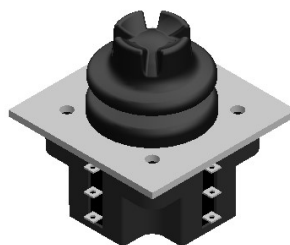
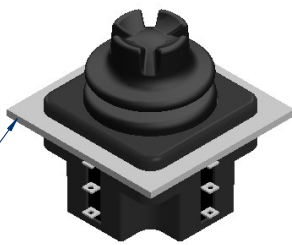
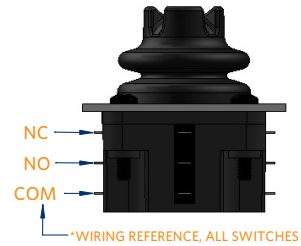
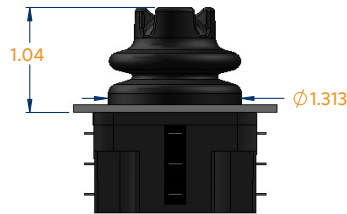
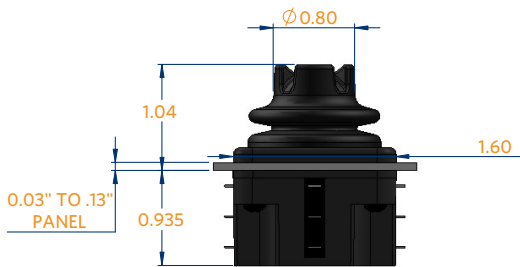
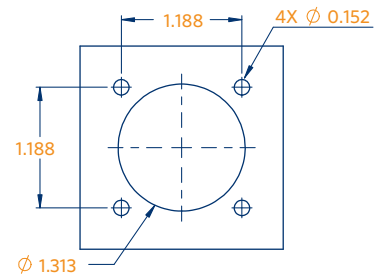
OPTION 1 MOUNTING  
(HARDWARE SUPPLIED)



OPTION 2 MOUNTING  
(NO BEZEL, #10 SCREWS, NOT SUPPLIED)



OPTION 3 MOUNTING  
(NO BEZEL, #6-32 THREADED INSERTS, HARDWARE SUPPLIED)



PANEL SHOWN FOR REPRESENTATION PURPOSES ONLY

06132024mp

**Ruffy Controls, Inc.**  
3258 Grey Hawk Ct., Carlsbad, CA 92010  
ruffycontrols.com

For more information: sales@ruffycontrols.com

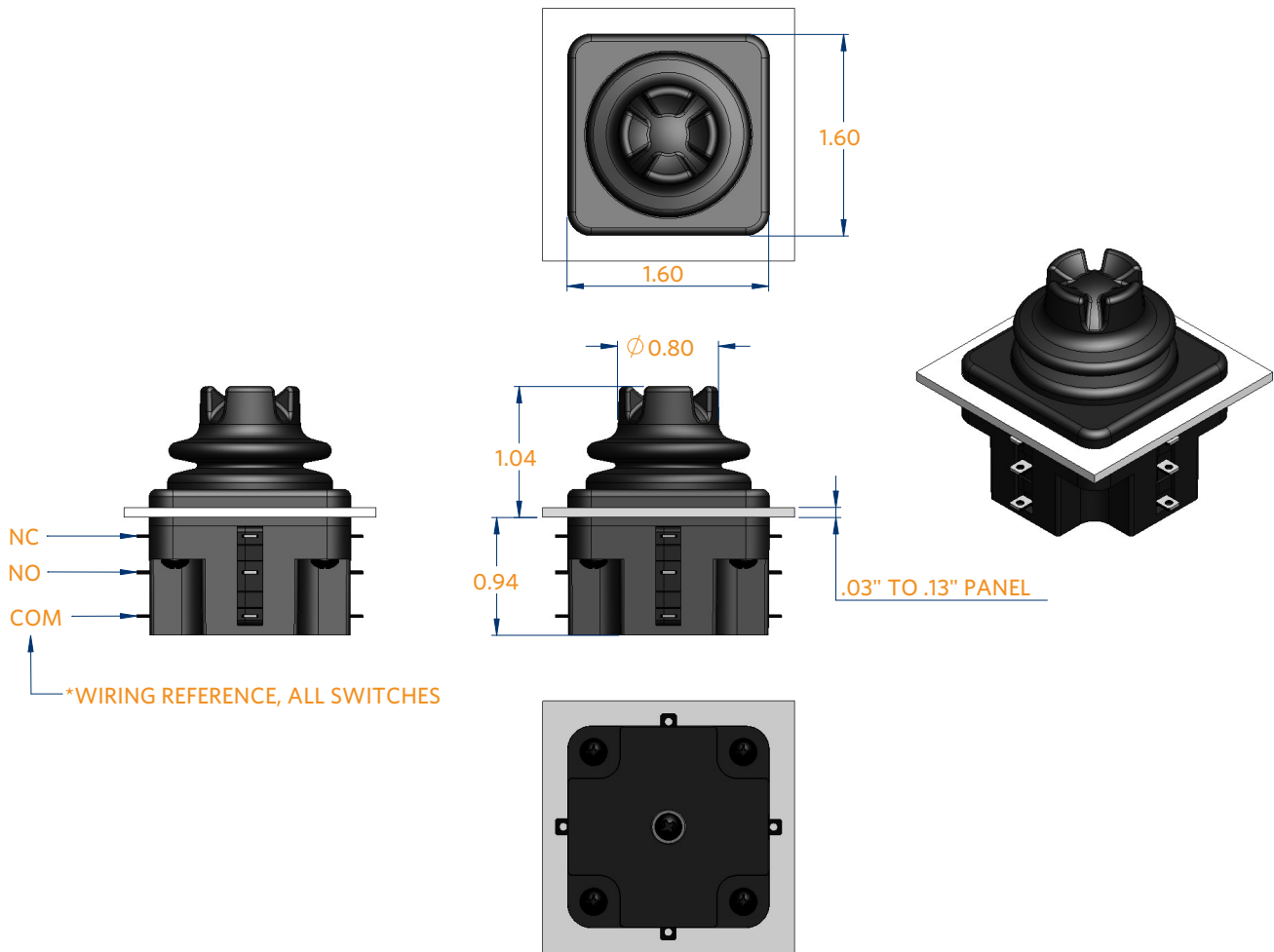
SCAN TO  
ORDER TODAY



# SS2 Series

Fingertip switching joystick

## ELASTOMER CASTLE HANDLE (OPTION C)



06132024mp

