

RT1 Series

Sealed Toggle Switch

MAIN FEATURES

- Environmentally sealed to IP67
- Multiple single pole functions
- Panel cutout dia. 17.65 (.695)
- Solder lug or flying leads
- Made in the USA



Introducing the RT1 series: an environmentally sealed toggle switch engineered to excel in logic level applications. Featuring single pole double throw (SPDT switch) operation and available with momentary or maintained functions, the RT1 Series can be easily integrated into any switch panel.

SPECIFICATIONS

ELECTRICAL CAPACITY (Resistive load)	
Logic level:	0.4VA maximum @ 28V AC/DC maximum (Applicable range: 0.1mA - 0.1A @ 20mV - 28V)
OTHER RATINGS	
Contact resistance:	20 milliohms maximum
Insulation resistance:	1,000 megohms minimum @ 500V DC
Dielectric strength:	1,000V AC minimum between contacts for 1 minute minimum;
	1,500V AV minimum between contacts and case for 1 minute minimum
Mechanical life:	50,000 operations minimum
Electrical life:	50,000 operations minimum
Angle of throw:	25°

03122026mp



RT1 Series

Sealed Rocker Switch

SPECIFICATIONS

ENVIRONMENTAL	
Operating temperature:	-30°C to +85°C
Humidity:	90 - 95% humidity for 240 hours @ 40°
Vibration:	10 ~ 55Hz with peak-to-peak amplitude of 1.5mm traversing the frequency range & returning in 1 minute; 3 right angled directions for 2 hours
Shock:	500m/s ² acceleration (tested in 6 right angled directions, with 5 shocks in each direction)
Sealing:	IP67 above panel

MATERIALS & FINISHES	
Toggle arm:	Brass with chrome plating
Frame:	Stainless steel
Housing/Bushing:	Brass w/black oxide
Lock washer:	Stainless steel
Mounting nut:	Brass w/black oxide
Terminals:	Gold plated brass

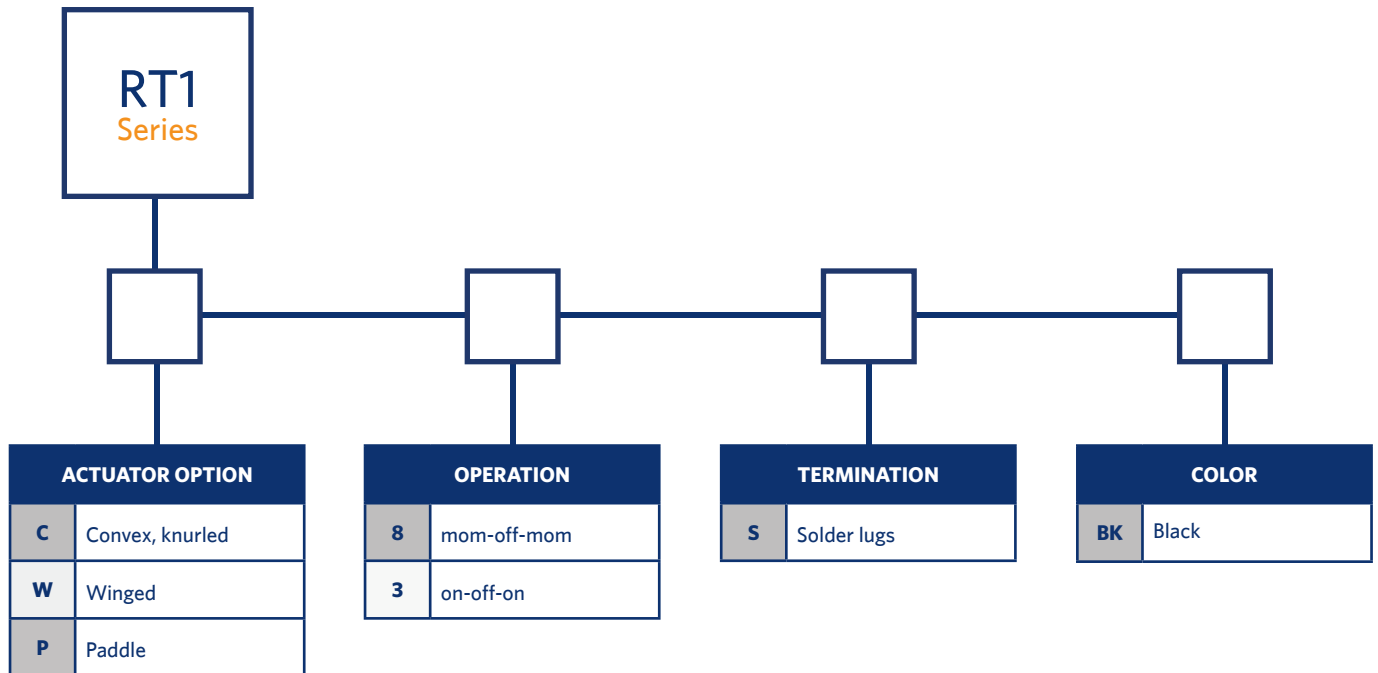
03122026mp



RT1 Series

Sealed Rocker Switch

RT1 SERIES PART NUMBER CODE



03122026mp

Ruffy Controls, Inc.
 3258 Grey Hawk Ct., Carlsbad, CA 92010
ruffycontrols.com

For more information: sales@ruffycontrols.com

**SCAN TO
ORDER TODAY**

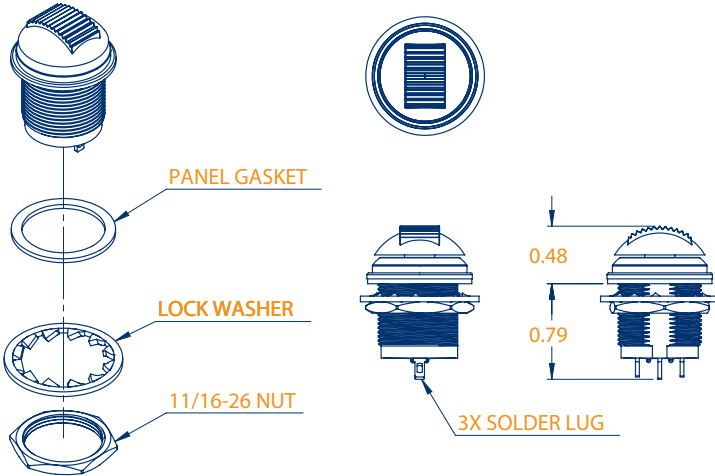


RT1 Series

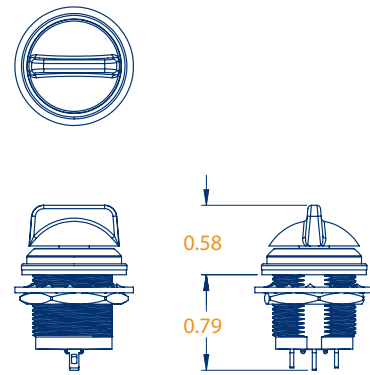
Sealed Rocker Switch

ACTUATOR OPTION & PANEL CUTOUTS

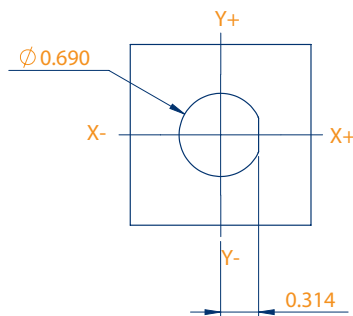
P: CONVEX, KNURLED



P: PADDLE

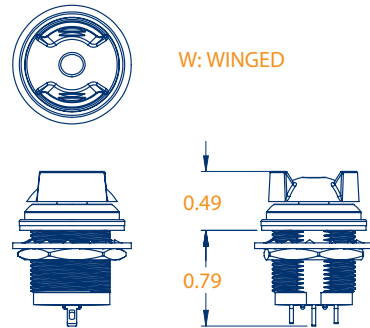


PANEL CUTOUT DIMENSIONS



LOCK WASHER

W: WINGED



PROPRIETARY AND CONFIDENTIAL
THE INFORMATION CONTAINED IN THIS
DRAWING IS THE SOLE PROPERTY OF
RUFFY CONTROLS, INC. ANY
REPRODUCTION IN PART OR AS A WHOLE
WITHOUT THE WRITTEN PERMISSION OF
RUFFY CONTROLS, INC. IS PROHIBITED.

03122026mp

