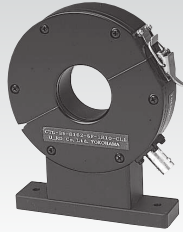


High frequency CT clamp type

CT Clamp type standard CT for wide frequency bandwidth -20Hz ~ 15MHz-

AC current sensor

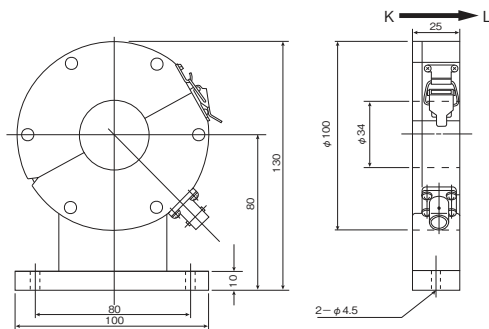


Model CTL-35-S162-5F-1R10-CL1

[Features]

- Main application for current monitoring of power supply of sputtering (13.56MHz)
- Corresponding to wide frequency bandwidth of 20Hz~15MHz. Possible to use as standard CT
- Suitable to standard current sensor for test and research
- Excellent noise resistance by inserting into aluminum case
- Suitable to wave monitoring by oscilloscope, because output is BNC connector voltage output type

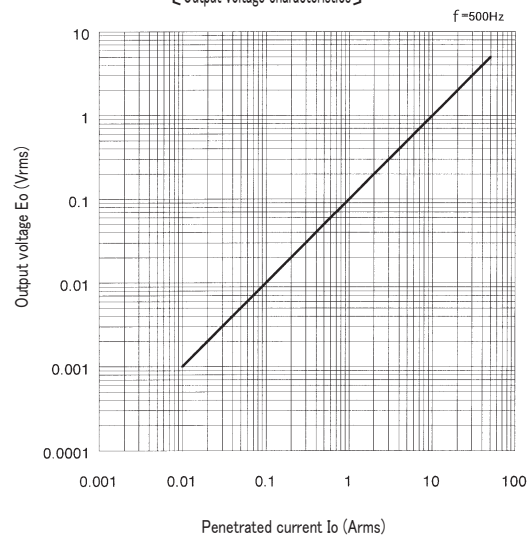
[Outline drawing]



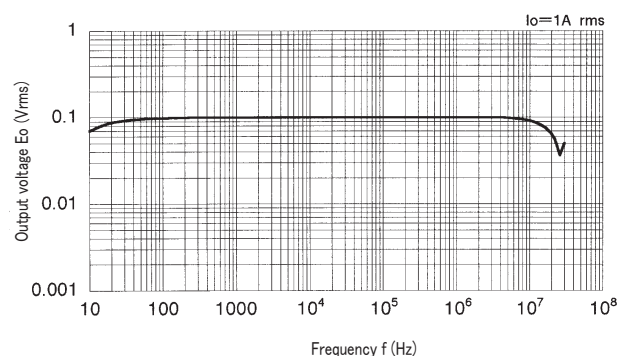
[Specification] Ta=25°C

Model	CTL-35-S162-5F-1R10-CL1
Primary current	0.01 ~ 50Arms
Frequency	20Hz ~ 15MHz (-3dB bandwidth)
Output sensitivity	0.1V / A ± 3% (100kHz)、 $R_L=1M\Omega$ 0.05V / A ± 3% (100kHz)、 $R_L=50\Omega$
Linearity	± 3%FS
Output impedance	50 Ω
Operating temperature	-10°C ~ +60°C
Storage temperature	-20°C ~ +65°C
Structure	Aluminum case, common frame ground (isolated structure between mounting foot and case)
Output connector	BNC-R
Screw torque	0.7N · m
Mass	approximately 530g

[Output voltage characteristics]



[Frequency characteristics]



Remark

- (1) Although isolated between mounting foot and case, common ground between case and BNC-R connector
- (2) Isolate the measuring object if the isolated measurement is necessary