

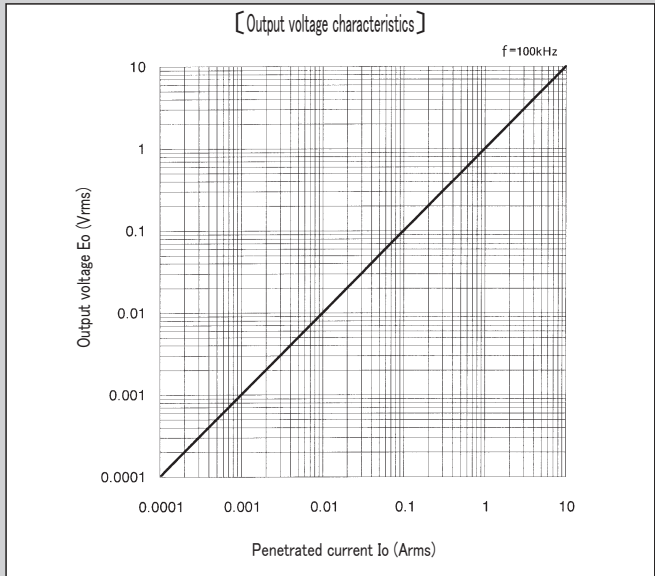
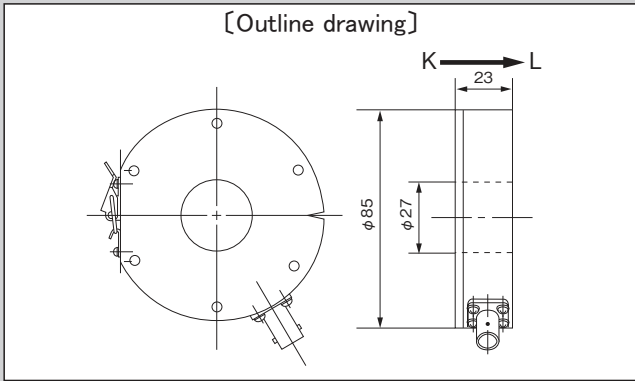
High frequency CT clamp type

CT Clamp type standard CT only for high frequency -2kHz ~ 300MHz-



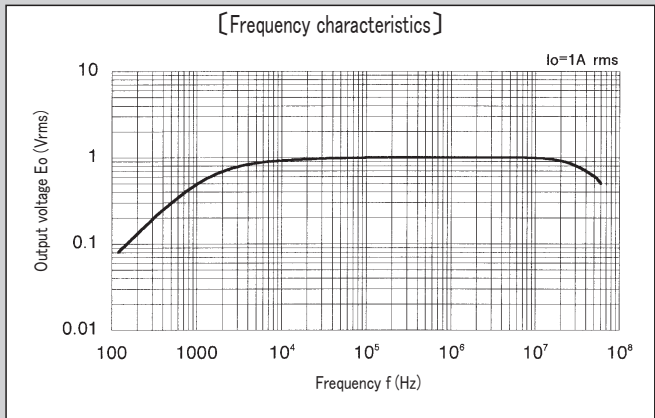
Model CTL-28-S90-05Z-1R1-CL1

- [Features]**
- Standard CT only for high frequency corresponding to 2kHz~30MHz
 - Suitable to standard current sensor for test and research
 - Excellent noise resistance by inserting into aluminum case
 - Measurement of each type of high frequency and pulse current. Suitable to wide application for wave monitoring
 - Suitable to wave monitoring by oscilloscope, because output is BNC connector voltage output type



[Specification] Ta=25°C

Model	CTL-28-S90-05Z-1R1-CL1
Primary current	0.01 ~ 10Arms
Frequency	2kHz ~ 30MHz (-3dB bandwidth)
Output sensitivity	1.0V / A ± 3% (100kHz)、RL=1MΩ 0.5V / A ± 3% (100kHz)、RL=50Ω
Linearity	± 3%FS
Output impedance	50Ω
Operating temperature	-10°C ~ +75°C
Storage temperature	-20°C ~ +85°C
Structure	Aluminum case, common frame ground
Output connector	BNC-R
Mass	approximately 360g



Remark

- (1) No isolation between aluminum case and BNC-R connector by common ground. Isolate the measuring object if the isolated measurement is necessary
- (2) Only for high frequency current measurement more than 2kHz. Impossible to earn specified output sensitivity with commercial frequency 50/60Hz