

# MT3A

## Cable Actuated Sensor

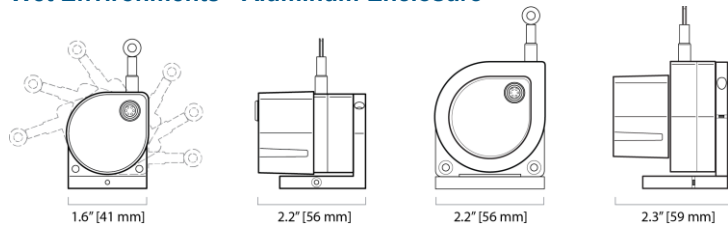
### Test Applications • Voltage Divider

**Compact String Pot • Flight/Crash Test Applications**

**Dual Axis 360° Mounting Bracket**

**3, 9, 15, 30 and 50-inch Stroke Range Options**

**Wet Environments • Aluminum Enclosure**



### General

**Full Stroke Range Options** 0-3, 0-9, 0-15, 0-30, 0-50 inches, min.

<b>Output Signal</b>	voltage divider (potentiometer)
<b>Accuracy</b>	± 1.1% to 0.15% full stroke (see ordering information)
<b>Repeatability</b>	± 0.02% full stroke
<b>Resolution</b>	essentially infinite
<b>Measuring Cable</b>	Ø.019-in. nylon-coated stainless steel
<b>Enclosure Material</b>	anodized aluminum
<b>Sensor Cover</b>	aluminum or polycarbonate
<b>Sensor</b>	conductive plastic-hybrid potentiometer
<b>Weight</b>	0.5 lb. max.

### Electrical

<b>Input Resistance</b>	10K ohms (± 10%)
<b>Power Rating, Watts</b>	2.0 at 158°F (70° C), derated to 0 @ 255°F (125°C)
<b>Recommended Maximum Input Voltage</b>	30V (AC or DC)
<b>Electrical Stroke</b>	94% ±4% of input voltage

### Mechanical

<b>Measuring Cable Tension Options</b>	9, 14 and 33 oz.
<b>Maximum Measuring Cable Acceleration</b>	90 g

### Environmental

<b>Enclosure</b>	NEMA 4 / IP67
<b>Operating Temperature</b>	-40° to 250° F (-40° to 120°C)

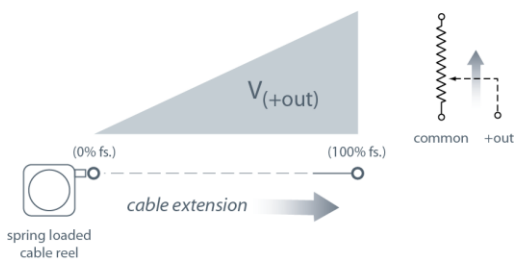


30-inch range model shown with aluminum cover

The MT3A is the solution for high-acceleration test applications in potentially wet environments. Just like the MT2A, the MT3A comes in 5 different full-stroke ranges, has a high-tension heavy-duty measuring cable designed for the demands of flight and automotive crash tests and comes with an easy to use 2-axis 360° rotation mounting bracket for installation in hard to fit areas.

For extreme high impact applications, the MT3A is now available with a rugged all aluminum sensor cover!

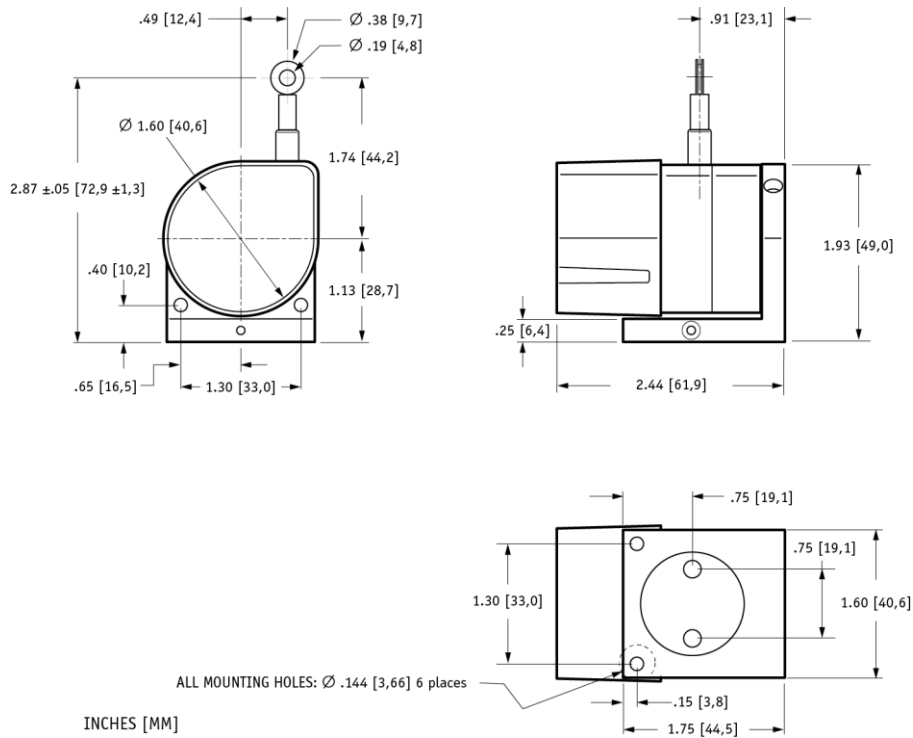
### Output Signal



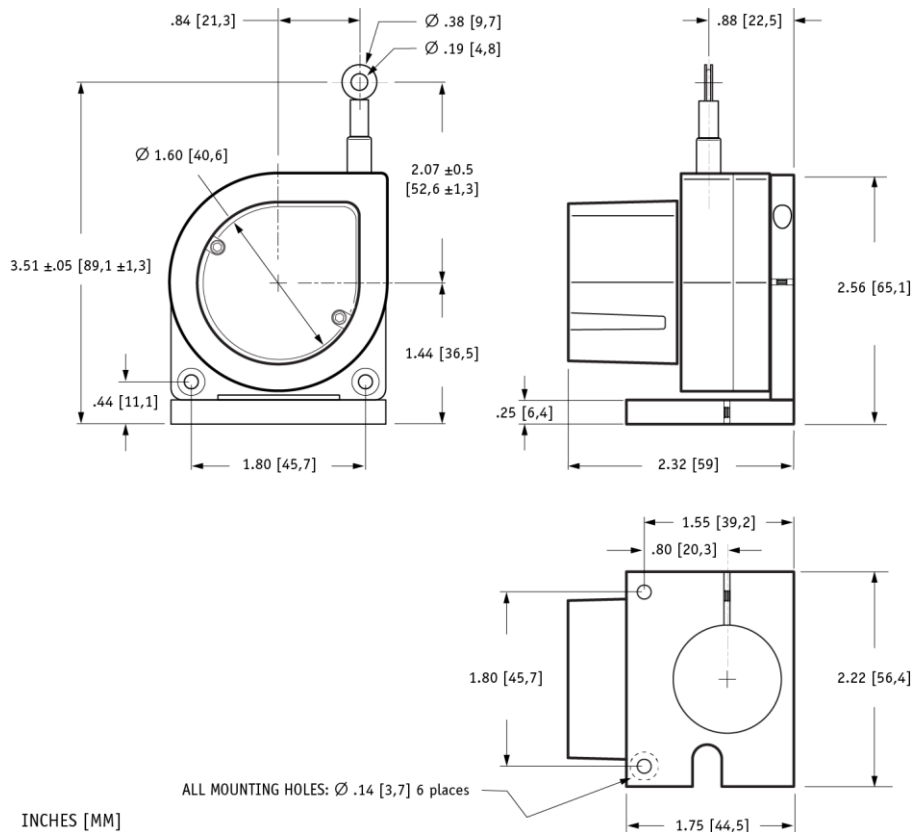
# MT3A

Test Applications • Voltage Divider

## Outline Drawing (0-3 to 0-30-inch ranges)



## Outline Drawing (0-50-inch range)



# MT3A

Test Applications • Voltage Divider

## Ordering Information

### Model Number:

**MT3A** - **R** - **A** - **B** - **10K** - **G**  
*order code:*

### Sample Model Number:

**MT3A - 9E - 33 - 10K - C1A**

- R** range: 9 inches
- A** measuring cable termination: eyelet
- B** measuring cable tension: 33 oz. (±6 oz.)
- G** electrical connection: 15-ft cable w/end-mounted strain relief/aluminum cover

### Full Stroke Range:

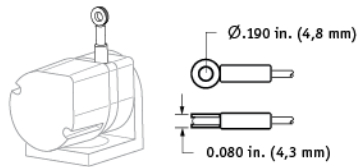
<b>R</b> <i>order code:</i>	<b>3</b>	<b>9</b>	<b>15</b>	<b>30</b>	<b>50</b>
full stroke range, min:	3 inches	9 inches	15 inches	30 inches	50 inches
potentiometer cycle-life:	$2.5 \times 10^6$	$8.3 \times 10^5$	$5.0 \times 10^5$	$2.5 \times 10^5$	$2.5 \times 10^5$
accuracy (% of full stroke):	1.1 %	.25%	.20%	.15%	.15%

### Measuring Cable Termination:

**A** *order code:*

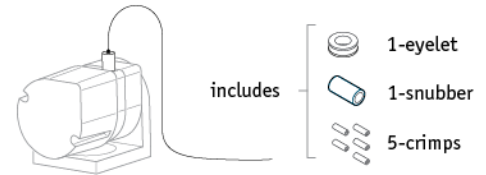
**E**

Eyelet



**L**

Leader Cable (24 in. long)



### Measuring Cable Tension:

**B** *order code:*

**9**

**14**

**33**

3, 9, 15, 30-in. range options:	9 (±2) oz.	14 (±4) oz.	33 (±6) oz.
max. cable acceleration:	99 g	136 g	136 g

**B** *order code:*

**9**

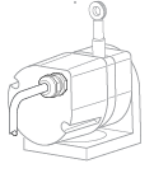
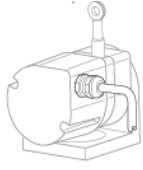


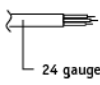
**22**

50-in. range options:	9 (±2) oz.	22 (±6) oz.
max. cable acceleration:	46 g	68 g

# MT3A

Test Applications • Voltage Divider

## Electrical Connection/ Sensor Cover:

Order Code	C1	C1A	C4	C4A	C2	C2A	C5	C5A
sensor cover:	polycarbonate	aluminum	polycarbonate	aluminum	polycarbonate	aluminum	polycarbonate	aluminum
electrical cable length:	15 ft (4.5 m)		30 ft (9 m)		15 ft (4.5 m)		30 ft (9 m)	
end-mount strain relief								
Order Code	C3	C3A	C6	C6A	BC	BCA		
sensor cover:	polycarbonate	aluminum	polycarbonate	aluminum	polycarbonate	aluminum		
electrical cable length:	15 ft (4.5 m)		30 ft (9 m)		n/a		n/a	
top-mount strain relief								
Signal Connection Color Code			color	signal				
			Red	+in				
			Black	common				
			Green	+out				
			24 gauge, shielded					
					* blank cover option is for customers who want to provide their own connector or strain relief. This cover comes without electrical wiring access holes so customer can drill to their requirements.			

### NORTH AMERICA

Measurement Specialties, Inc.,  
 a TE Connectivity company  
 20630 Plummer Street  
 Chatsworth, CA 91311  
 Tel +1 800 423 5483  
 Tel +1 818 701 2750  
 Fax +1 818 701 2799  
 info@celesco.com

### TE.com/sensorsolutions

Measurement Specialties, Inc., a TE Connectivity company.

Measurement Specialties, TE Connectivity, TE Connectivity (logo) and EVERY CONNECTION COUNTS are trademarks. All other logos, products and/or company names referred to herein might be trademarks of their respective owners.

The information given herein, including drawings, illustrations and schematics which are intended for illustration purposes only, is believed to be reliable. However, TE Connectivity makes no warranties as to its accuracy or completeness and disclaims any liability in connection with its use. TE Connectivity's obligations shall only be as set forth in TE Connectivity's Standard Terms and Conditions of Sale for this product and in no case will TE Connectivity be liable for any incidental, indirect or consequential damages arising out of the sale, resale, use or misuse of the product. Users of TE Connectivity products should make their own evaluation to determine the suitability of each such product for the specific application.

© 2015 TE Connectivity Ltd. family of companies All Rights Reserved.

MT3A 12/01/2015