

# SS1 Series Specifications

MECHANICAL (X & Y AXES)	
ANGLE OF MOVEMENT	30° (15° EACH DIRECTION)
EXPECTED CYCLE LIFE	5 MILLION
CENTERING	SPRING RETURN
MAX. VERTICAL LOAD	67.5 lbF
MAX. HORIZONTAL LOAD	50 lbF *

\* Measured 0.62" Above Panel Surface

ELECTRICAL (X & Y AXES)	
SWITCH TYPE	HALL EFFECT
SUPPLY VOLTAGE	1.5-3.6VDC
MAX SUPPLY/OUTPUT VOLTAGE	5VDC
MAX SUPPLY CURRENT	5mA
MAX OUTPUT CURRENT	10mA

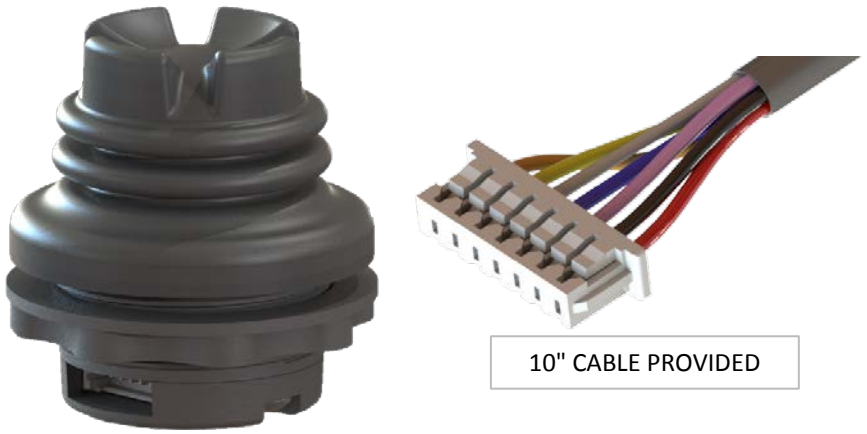
PUSHBUTTON SWITCH (OPTION 3 ACTUATOR)	
ELECTRICAL LIFE	300,000 CYCLES
RATING	50mA, 12VDC
ACTUATION FORCE	1.15lbF

ENVIRONMENTAL	
OPERATING TEMPERATURE	-40°F TO 185°F
STORAGE TEMPERATURE	-40°F TO 185°F
IP SEALING ABOVE PANEL	IP67
EMC IMMUNITY LEVEL	EN61000-4-3 *Compliance to 30A/m
EMC EMISSIONS LEVEL	EN61000-6-3
ESD IMMUNITY LEVEL	EN61000-4-2 *Compliance to ±15kV/±8kV

\*Extended Testing Levels

MOLEX 530480710 CONNECTOR		
PIN #	WIRE COLOR	DESCRIPTION
1	RED	POWER (+5V)
2	BLACK	GROUND
3	PINK	X- SWITCH
4	BLUE	X+ SWITCH
5	GREY	Y- SWITCH
6	YELLOW	Y+ SWITCH
7	ORANGE	PUSHBUTTON**

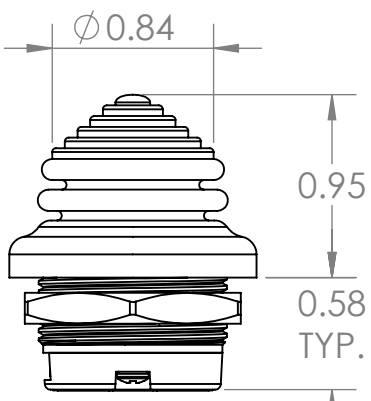
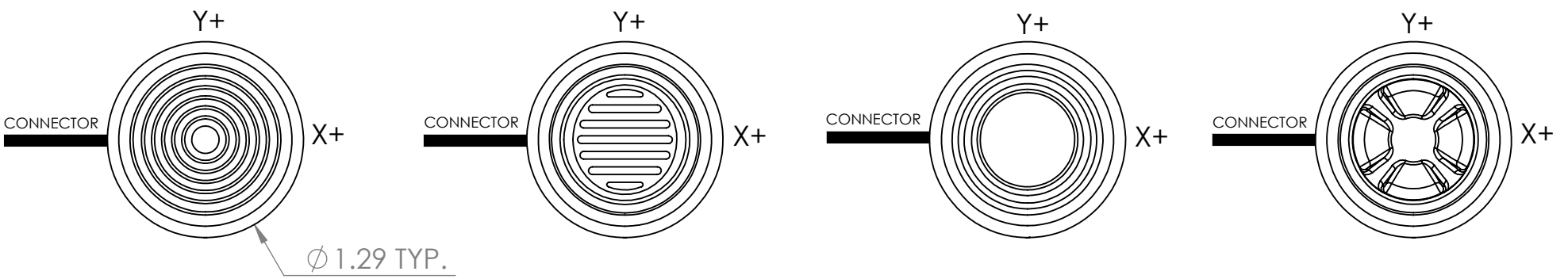
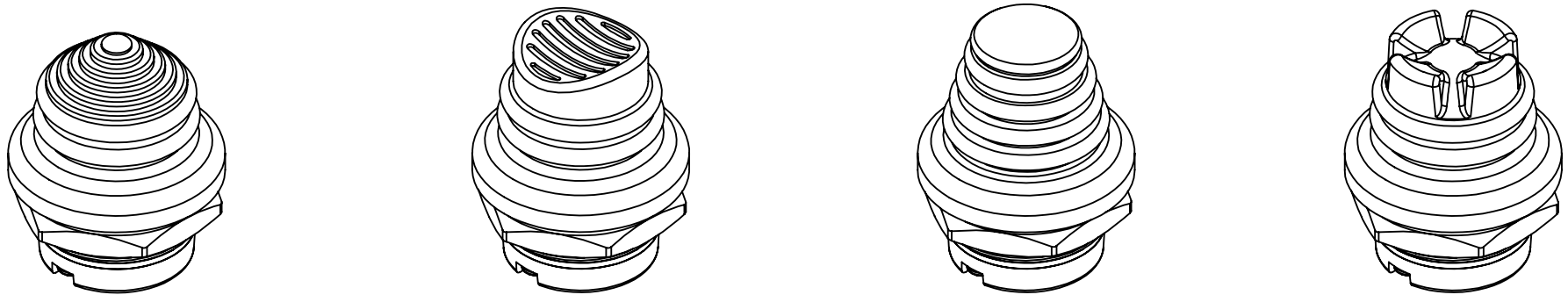
\*\* OPTIONAL



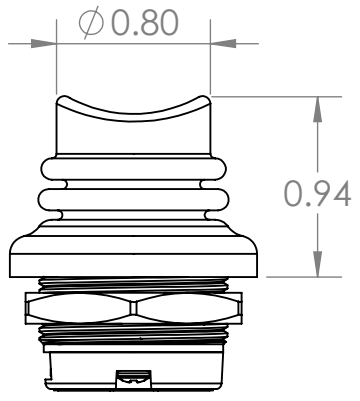
MATERIALS	
PLASTIC HOUSING	MINERAL & GLASS FILLED NYLON
METAL HOUSING	GOLD ANODIZED ALUMINUM
BOOT & ACTUATORS	SILICONE

IP RATING: IP67 (ABOVE PANEL, ALL CONFIGURATIONS)

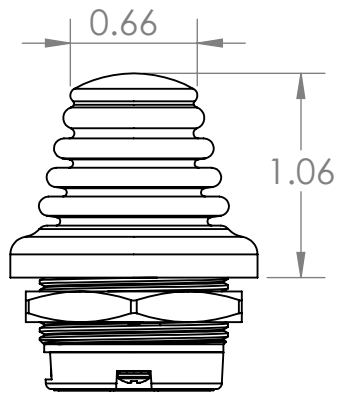
SS1 - ACTUATOR OPTIONS



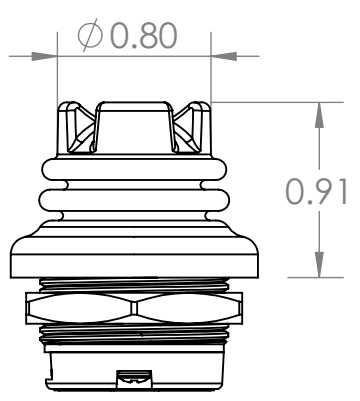
OPTION 1: STEPPED CAP



OPTION 2: SCOOP CAP



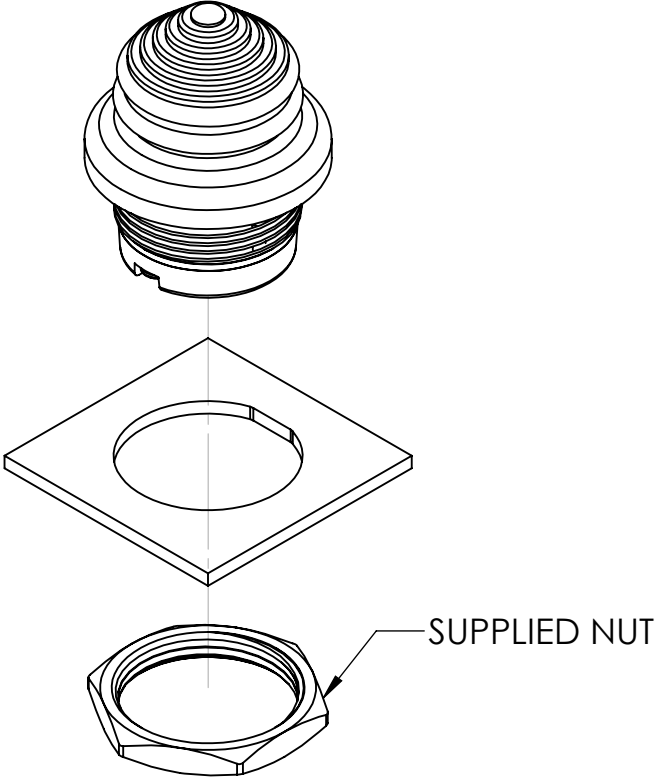
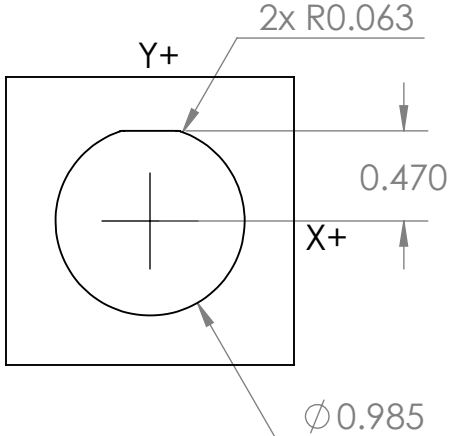
OPTION 3: PUSHBUTTON CAP



OPTION 4: CASTLE CAP

SS1 - MOUNTING OPTIONS

THREADED HOUSING PANEL DIMENSIONS



THREADED HOUSING, DROP-IN

SS1

SERIES

-

-

-

-

ACTUATOR OPTION:  
1 STEPPED CAP  
2 SCOOPED CAP  
3 PUSHBUTTON  
4 CASTLE CAP

LIMITER OPTION:  
4 4WAY

HOUSING OPTION:  
M METAL THREADED  
P PLASTIC THREADED

ACTUATOR COLOR:  
BK BLACK  
GY GREY