

MH Series Specifications

MECHANICAL (X & Y AXES)	
ANGLE OF MOVEMENT	50° (25° EACH DIRECTION)
EXPECTED CYCLE LIFE	5 MILLION
CENTERING	SPRING RETURN
MAX. VERTICAL LOAD	75 lbF
MAX. HORIZONTAL LOAD	24 lbF *
MATERIAL	GLASS/MINERAL FILLED NYLON

* Measured 1.75" Above Panel Surface

MECHANICAL (Z AXIS)	
ANGLE	90° (45° EACH DIRECTION)
CENTERING	SPRING RETURN
MAX. APPLIED TORQUE	14 lbFin

ELECTRICAL	
SENSOR TYPE	HALL EFFECT
RESOLUTION	12 BIT
SUPPLY VOLTAGE	5VDC ± 0.01VDC
OUTPUT VOLTAGE	SEE OPTIONS
RETURN TO CENTER VOLTAGE	± 50mV
OVERVOLTAGE MAX.	24VDC
REVERSE POLARITY MAX.	-12VDC

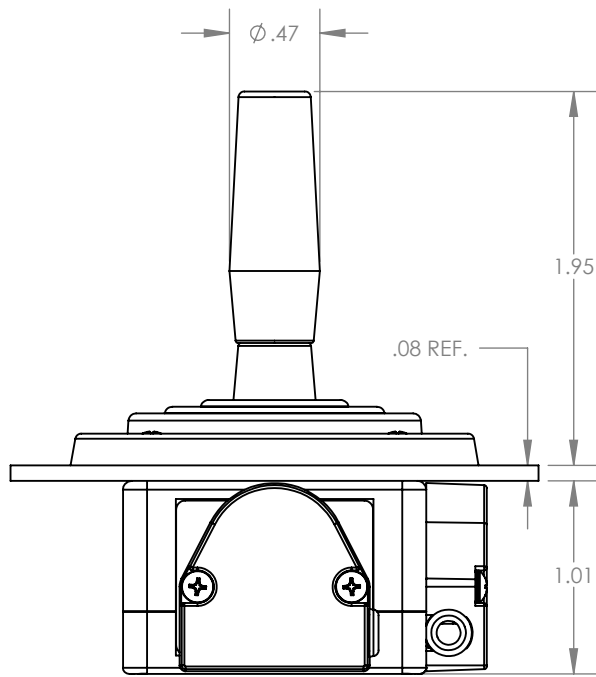
ENVIRONMENTAL	
OPERATING TEMPERATURE	0°F TO 140°F
STORAGE TEMPERATURE	-40°F TO 160°F
IP SEALING ABOVE FLANGE	UP TO IP54**
EMC IMMUNITY LEVEL	EN61000-4-3 *Compliance to 30A/m
EMC EMISSIONS LEVEL	EN61000-6-3
ESD IMMUNITY LEVEL	EN61000-4-2

*Extended Testing Levels

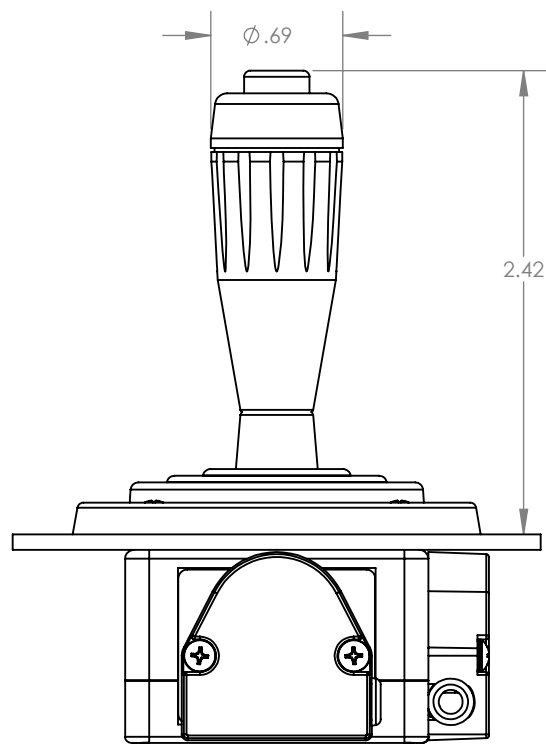
28AWG PIGTAIL WIRING	
RED	+5V
BLACK	GROUND
BLUE	X AXIS SENSOR
YELLOW	Y AXIS SENSOR
GREEN	Z AXIS SENSOR
ORANGE	BUTTON 1
VIOLET	BUTTON 2
WHITE	BUTTON COM



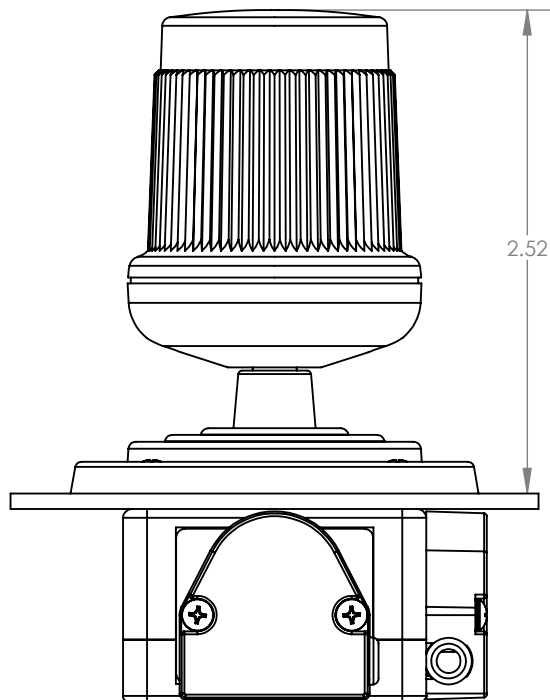
**HANDLE IP RATING	
HANDLE OPTION	IP RATING
20	IP54
21	IP50
30	IP54
31	IP50
32	IP50
40	IP54
41	IP50
42	IP50
50	IP54
51	IP50



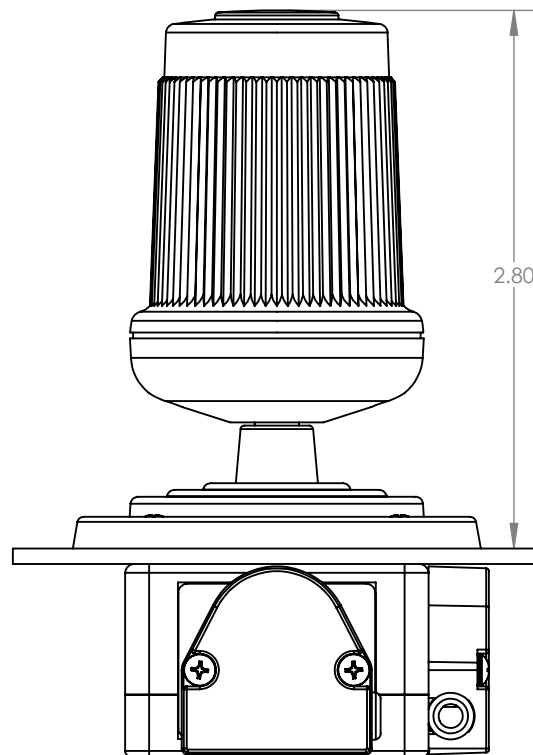
2 AXIS, NO BUTTON



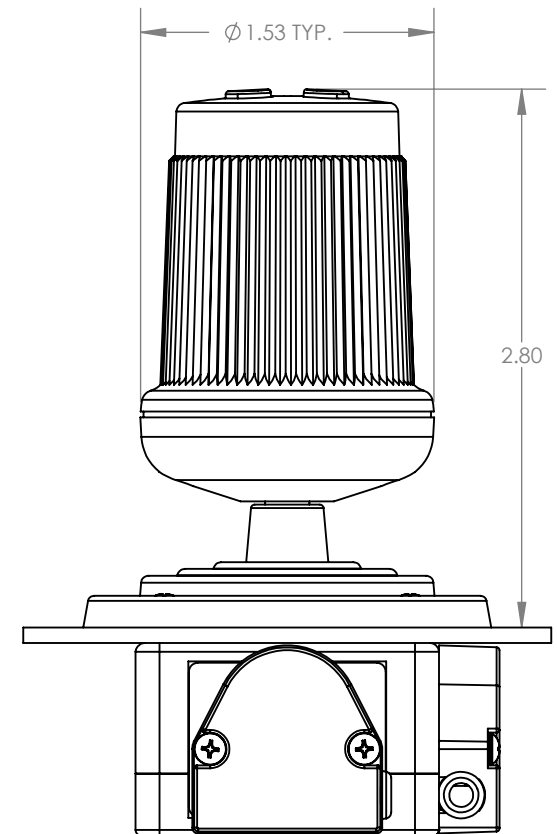
2 AXIS, 1 BUTTON



3 AXIS, NO BUTTON, STANDARD Z



3 AXIS, 1 BUTTON, STANDARD Z

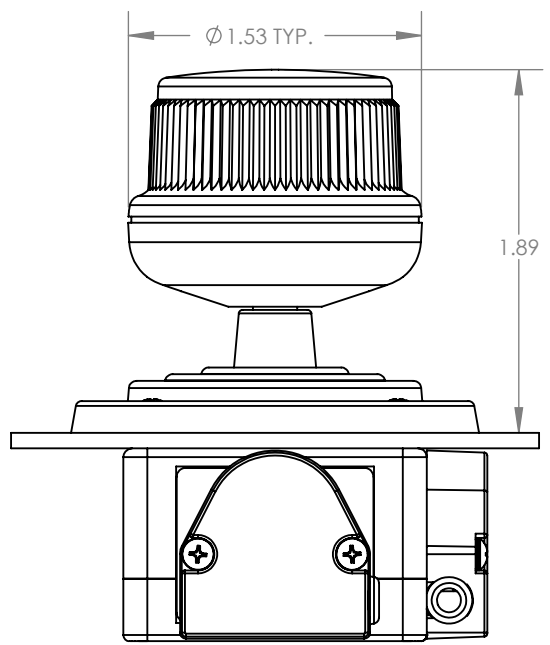


3 AXIS, 2 BUTTON, STANDARD Z

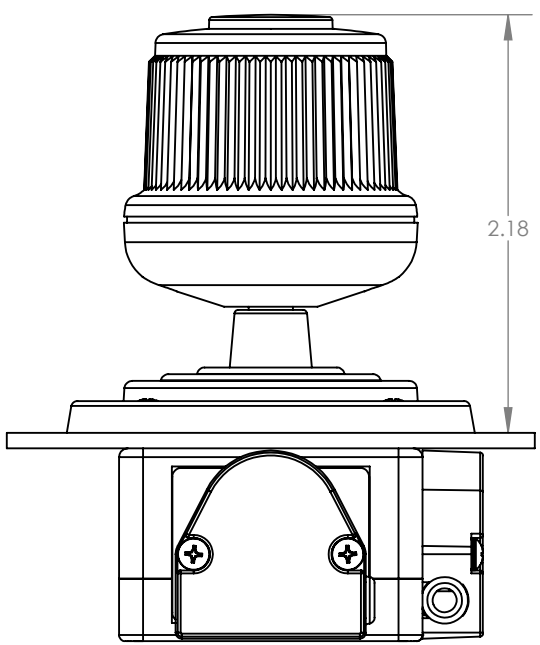
MH - HANDLE OPTIONS

- *MOUNTING HEIGHT FOR REAR MOUNT & DROP-IN OPTIONS
- *RISER BOX OPTION ADD 1.150" TO PANEL SURFACE

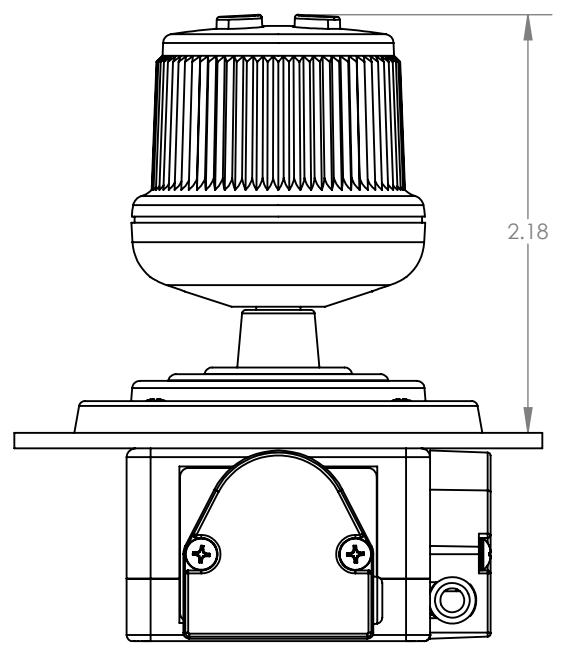
MH - HANDLE OPTIONS (continued)



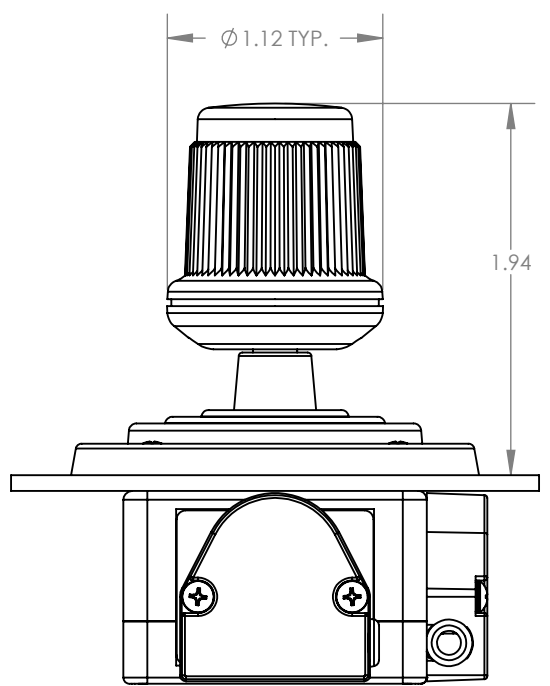
3 AXIS, NO BUTTON, LOW PROFILE Z



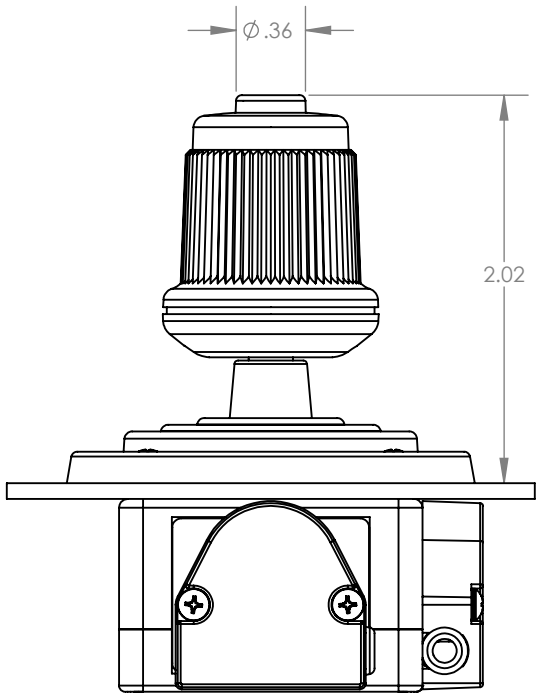
3 AXIS, 1 BUTTON, LOW PROFILE Z



3 AXIS, 2 BUTTON, LOW PROFILE Z



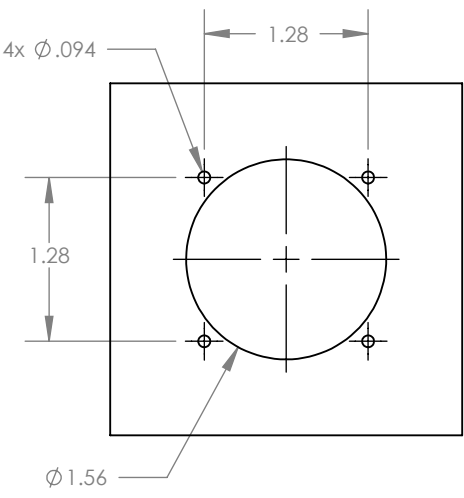
3 AXIS, NO BUTTON, SLIM Z



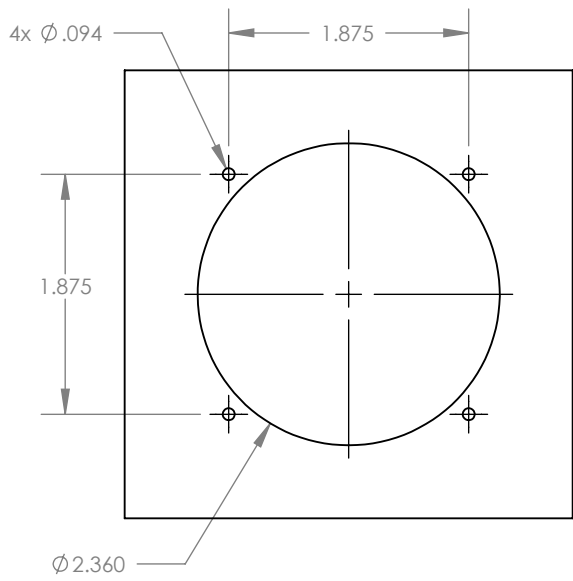
3 AXIS, 1 BUTTON, SLIM Z

MH - MOUNTING OPTIONS

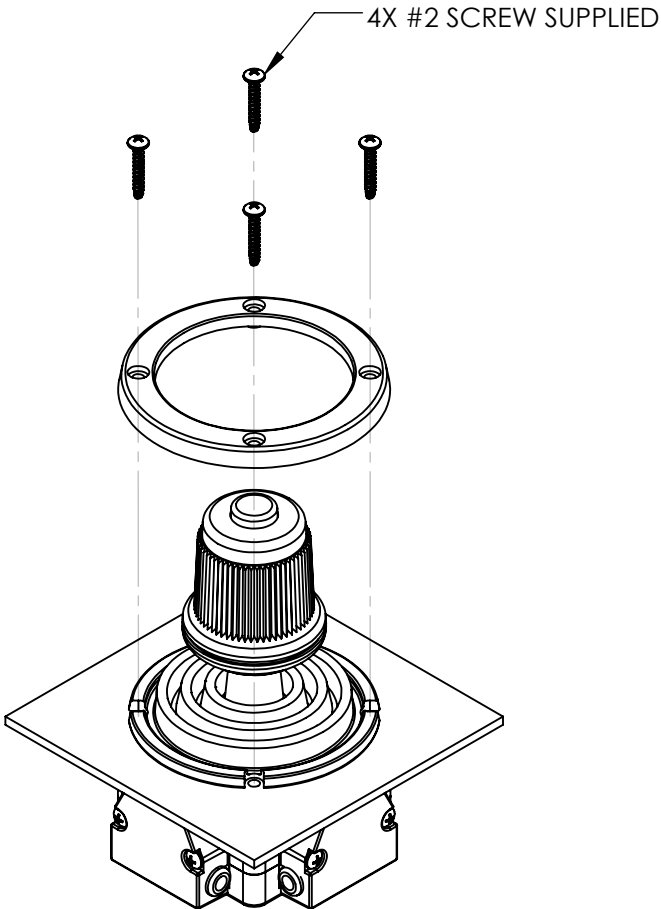
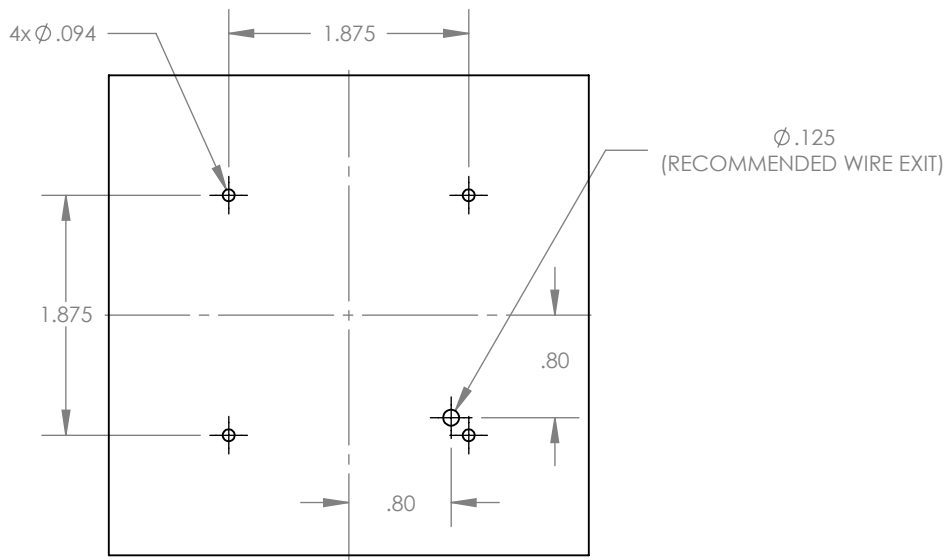
REAR MOUNT PANEL DIMENSIONS



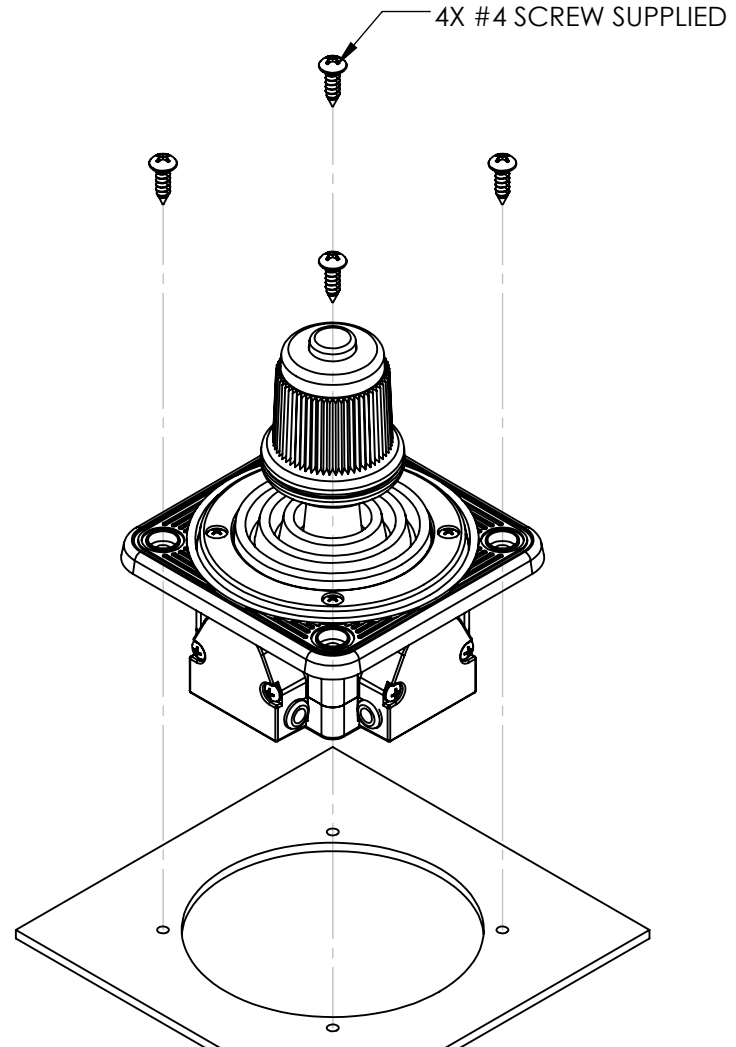
DROP-IN PANEL DIMENSIONS



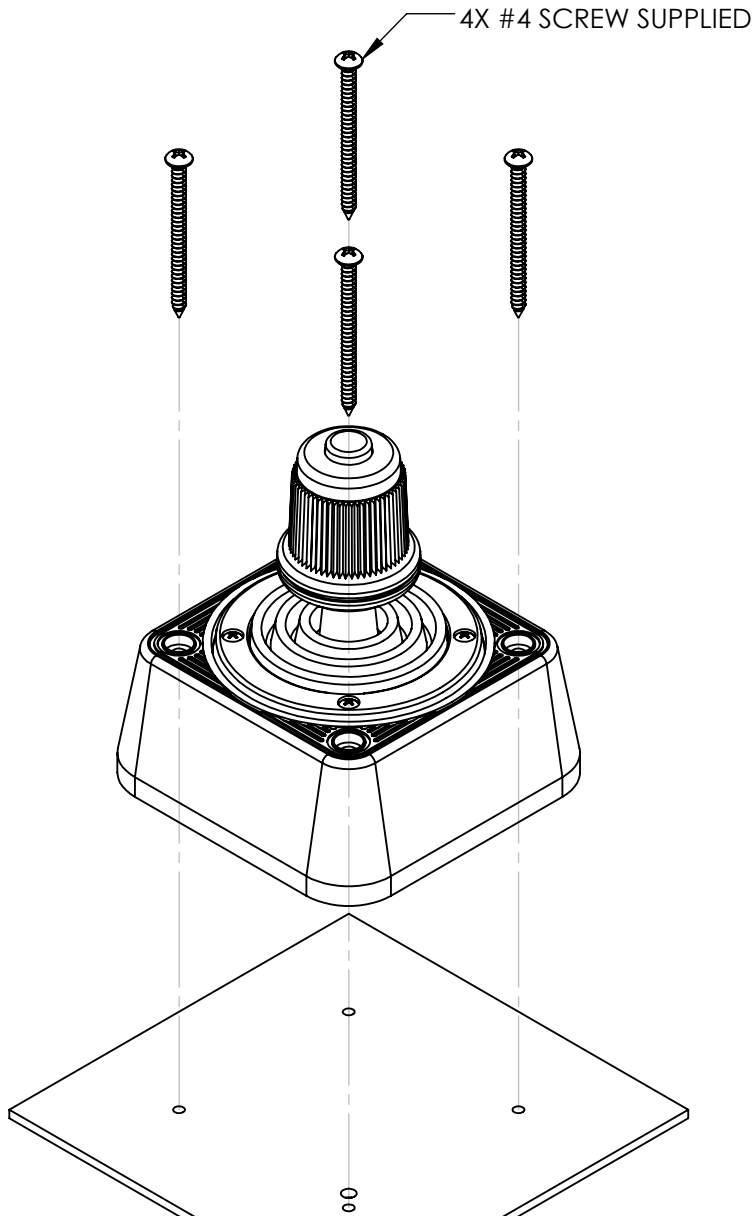
RISER BOX PANEL DIMENSIONS



REAR MOUNT



DROP-IN



RISER BOX

MH

SERIES

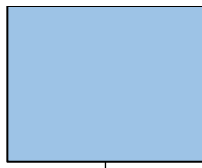
-



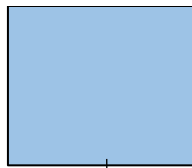
-



-



-



MOUNTING OPTION:

- D DROP-IN
- R REAR MOUNT
- B RISER BOX

HANDLE COLOR:

- BK BLACK
- GY GREY

HANDLE OPTION:

- 20 2 AXIS STICK NO BUTTON
- 21 2 AXIS STICK 1 BUTTON

- 30 3 AXIS NO BUTTON STANDARD Z
- 31 3 AXIS 1 BUTTON STANDARD Z
- 32 3 AXIS 2 BUTTON STANDARD Z

- 40 3 AXIS NO BUTTON LOW PROFILE Z
- 41 3 AXIS 1 BUTTON LOW PROFILE Z
- 42 3 AXIS 2 BUTTON LOW PROFILE Z

- 50 3 AXIS NO BUTTON SLIM Z
- 51 3 AXIS 1 BUTTON SLIM Z

- 60 2 AXIS LOW PROFILE LOCKED Z
AXIS, NO BUTTON
- 61 2 AXIS LOW PROFILE LOCKED Z
AXIS, 1 BUTTON
- 62 2 AXIS LOW PROFILE LOCKED Z
AXIS, 2 BUTTON
- 63 2 AXIS STANDARD LOCKED Z
AXIS, NO BUTTON
- 64 2 AXIS STANDARD LOCKED Z
AXIS, 1 BUTTON
- 65 2 AXIS STANDARD LOCKED Z
AXIS, 2 BUTTON

OUTPUT OPTION:

- 1 0V-5V
- 2 0.5V to 4.5V
- 3 0.25V to 4.75V
- 4 1V to 4V