

HS1 Series Specifications

MECHANICAL	
ANGLE OF MOVEMENT	6° (3° EACH DIRECTION)
LIFE CYCLES	100K MINIMUM
SWITCH MECHANISM	TACTILE
MAX. VERTICAL LOAD	60 lbf
MAX. HORIZONTAL LOAD	40 lbf *

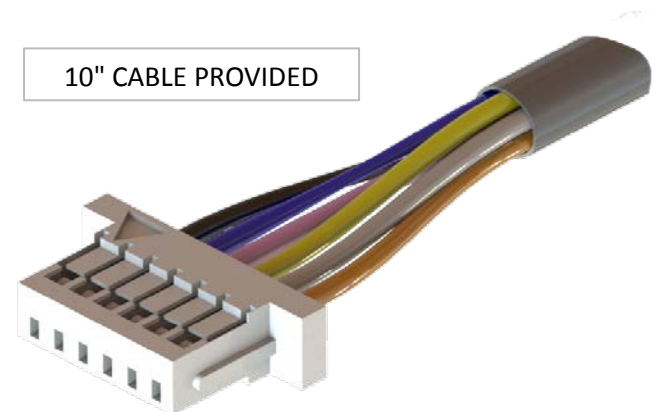
* Measured 0.45" Above Panel Surface

ELECTRICAL	
MINIMUM CONTACT RATING	10µA @ 1V DC
MAXIMUM CONTACT RATING	50mA @ 24V DC
INITIAL CONTACT RESISTANCE	100mΩ MAX
INSULATION RESISTANCE	100MΩ MIN @ 100V DC
DIELECTRIC STRENGTH	500V AC FOR 1 MINUTE
THERMAL SHOCK	PER EIA-364-32C

ENVIRONMENTAL	
OPERATING TEMPERATURE	-30°F TO 185°F
STORAGE TEMPERATURE	-30°F TO 185°F
IP SEALING ABOVE PANEL	IP67

JST CONNECTOR: BM06B-SRSS-TB		
PIN #	WIRE COLOR	DESCRIPTION
1	BLACK	COMMON
2	BLUE	X+ SWITCH
3	PINK	X- SWITCH
4	YELLOW	Y+ SWITCH
5	GREY	Y- SWITCH
6	ORANGE	*TOP SWITCH

*(OPTIONAL)



10" CABLE PROVIDED

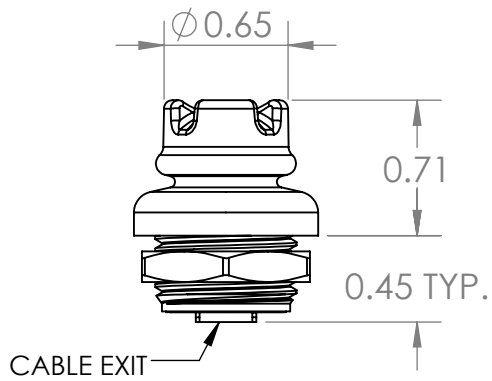
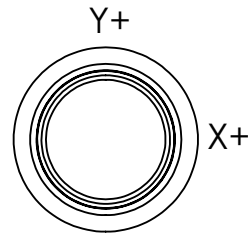
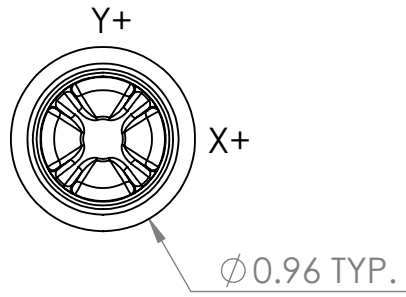
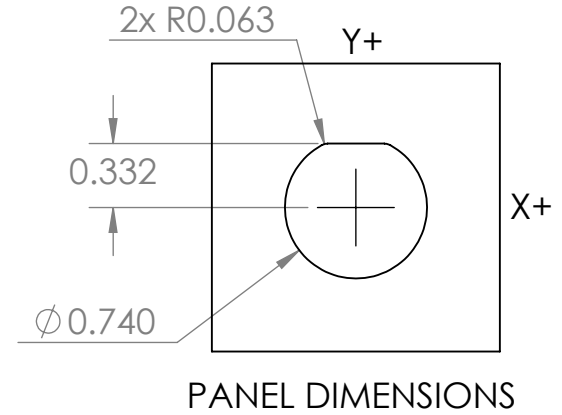
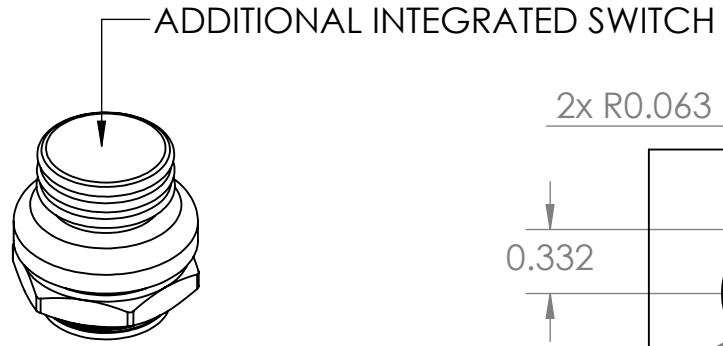
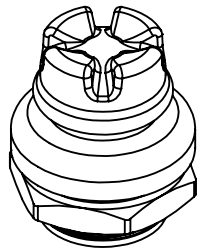
"Castle" Style Actuator



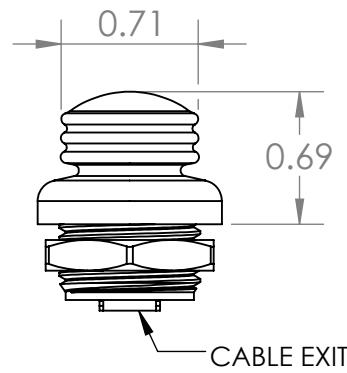
"Round" Style Actuator



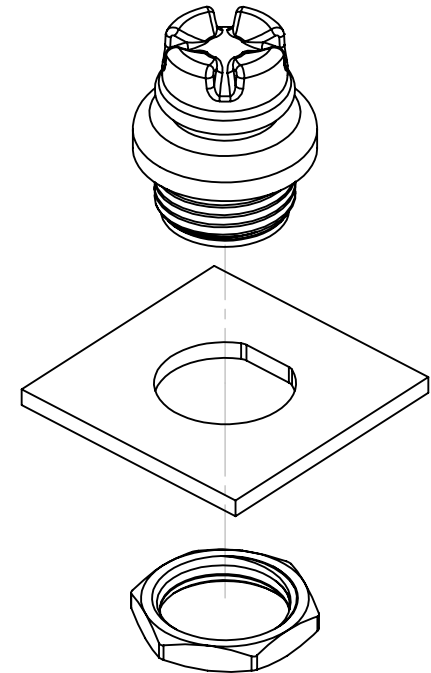
HS1 - ACTUATOR OPTIONS & MOUNTING



OPTION 4 (4-WAY) OR
OPTION 8 (8-WAY) SWITCH



OPTION 5 (5-WAY) OR
OPTION 9 (9-WAY) SWITCH



HS1

-



SERIES

LIMITER & ACTUATOR OPTION:

- 4 4-WAY, CASTLE CAP
- 5 5-WAY (4-WAY + TOP BUTTON, ROUND CAP)
- 6 5-WAY (4-WAY + TOP BUTTON, CASTLE CAP)
- 8 8-WAY, CASTLE CAP
- 9 9-WAY (8-WAY + TOP BUTTON, ROUND CAP)
- 10 9-WAY (8-WAY + TOP BUTTON, CASTLE CAP)