

FNR Series Specifications

MECHANICAL (X & Y AXES)	
ANGLE OF MOVEMENT	50° (25° Each Direction)
EXPECTED CYCLE LIFE	3 MILLION (Full Forward to Full Back)
MAX. VERTICAL LOAD	67.5 lbF
MAX. HORIZONTAL LOAD	50 lbF ¹
ACTUATION FORCE:	150g ± 10% Nominal, Into POS. 2 350g ± 10% Nominal, Out of POS. 2

1 - Measured 0.62" Above Panel Surface

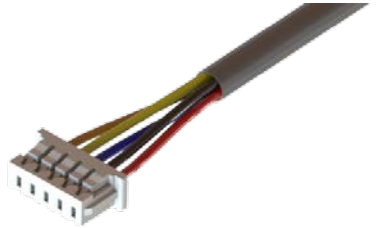
ELECTRICAL	
SENSOR TYPE	HALL EFFECT
SUPPLY VOLTAGE	5.00V ± 0.01V
CENTER VOLTAGE (POS. 2)	2.50V ± 0.25V
FULL TRAVEL VOLTAGE (POS. 1, POS. 3)	V ² ± 0.10V
OVERVOLTAGE MAX.	20VDC
REVERSE POLARITY MAX.	-10VDC

2 - Voltage per user specified range

ENVIRONMENTAL	
OPERATING TEMPERATURE	0°F TO 140°F
STORAGE TEMPERATURE	-40°F TO 160°F
IP SEALING ABOVE FLANGE	IP67
EMC IMMUNITY LEVEL	EN61000-4-3, Compliance to 30A/m ³
EMC EMISSIONS LEVEL	EN61000-6-3
ESD IMMUNITY LEVEL	EN61000-4-2, Compliance to ±15kV/±8kV ³
VIBRATION TESTING	Per SAE J1455 Section 4.9 & MIL-STD810G 514.6
MECHANICAL SHOCK	Per SAE J1455 Section 4.10 & MIL-STD-202G

3 - Extended Testing Levels

MOLEX 530480510 CONNECTOR		
PIN #	WIRE COLOR	DESCRIPTION
1	RED	POWER (+5V)
2	BLACK	GROUND
3	BLUE	X AXIS SENSOR
4	YELLOW	Y AXIS SENSOR
5	ORANGE	N/A

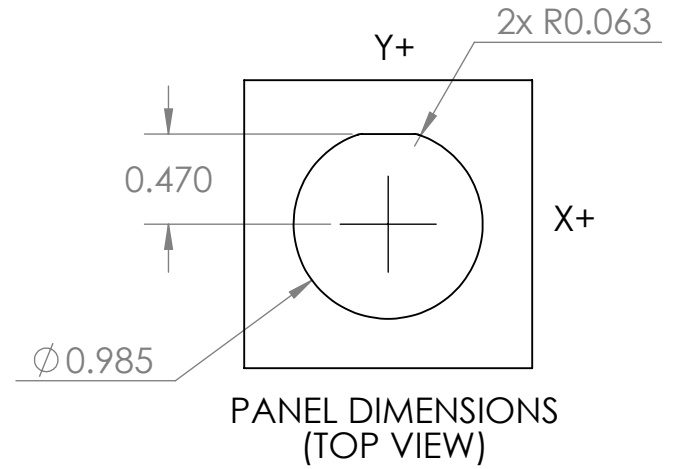
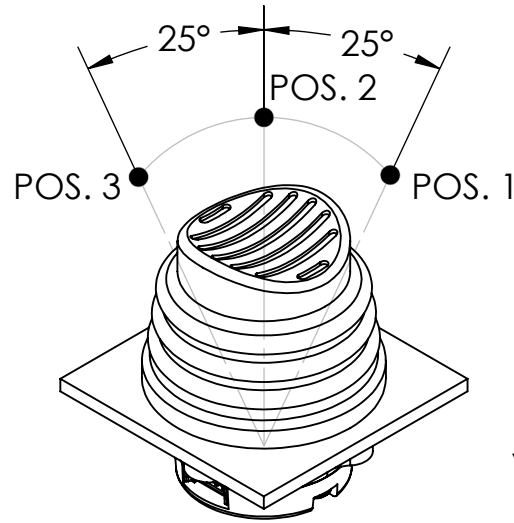


10" CABLE PROVIDED

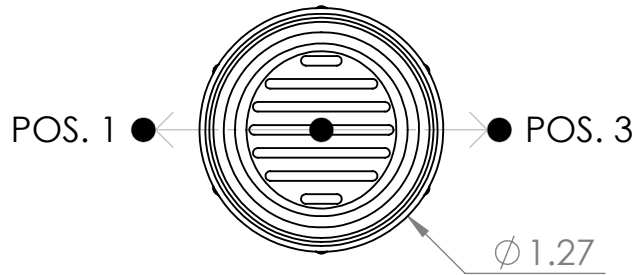
MATERIALS	
PLASTIC HOUSING	MINERAL & GLASS FILLED NYLON
METAL HOUSING	GOLD ANODIZED ALUMINUM
BOOT & ACTUATORS	SILICONE

IP RATING: IP67 (ABOVE PANEL, ALL CONFIGURATIONS)

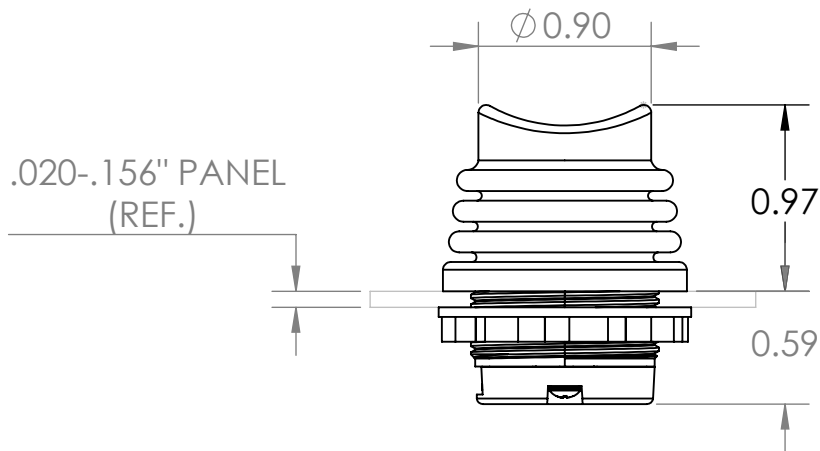
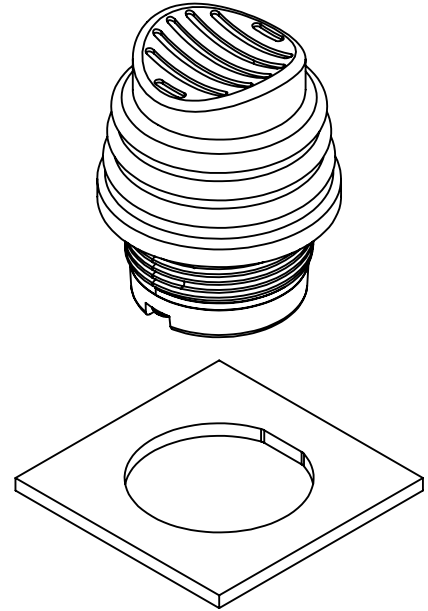
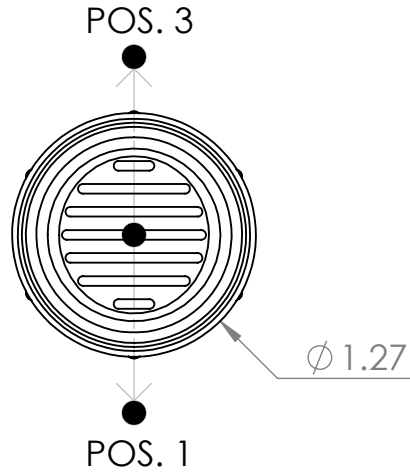
FNR SERIES: PRODUCT/MOUNTING PANEL DIMENSIONS



**X DIRECTION
(TOP VIEW)**



**Y DIRECTION
(TOP VIEW)**



SUPPLIED NUT

(SCALE 1:1)

FNR

SERIES

-

-

-

-

-

ACTUATOR OPTION:
1 SCOOPED CAP

LIMITER OPTION:
X X DIRECTION
Y Y DIRECTION

HOUSING OPTION:
M METAL THREADED
P PLASTIC THREADED

OUTPUT OPTION:
1 0.25/2.5/4.75 VDC *
2 0.5/2.5/4.5 VDC *
3 1.0/2.5/4.0 VDC *

* POS.1 / POS.2 / POS.3

ACTUATOR COLOR:
BK BLACK