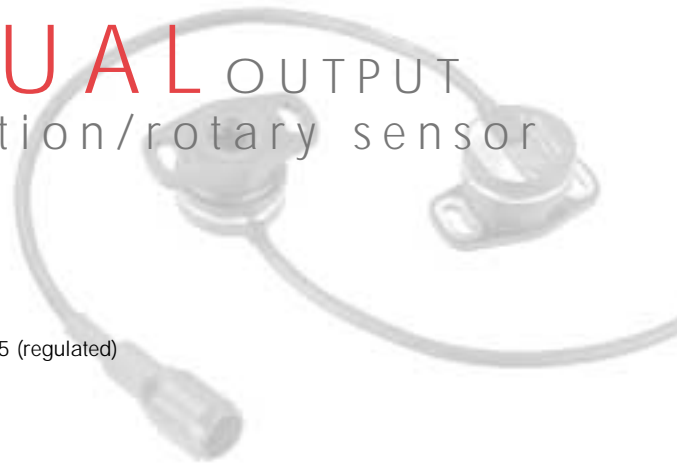


TPS280DP DUAL OUTPUT

contactless throttle position/rotary sensor



PERFORMANCE

ELECTRICAL

Measurement range	°	20 to 360 in 1° increments
Supply voltage	Vdc	9 to 30 (unregulated) and 5 ±0.5 (regulated)
Over voltage protection	Vdc	Up to 40 (-40 to +60°C)
Maximum supply current	mA	<25
Reverse polarity protection		Yes
Short circuit protection		
Output to GND		Yes
Output to supply		In 5V regulated mode only
Power-on settlement time	S	<1
Resolution	%	0.025 of measurement range (12 bit)
Non-linearity*	%	<±0.4
Temperature coefficient	ppm/°C	<±30 in 5V supply mode; <±90 in 9-30V supply mode

*Non-linearity is measured using the Least-Squares method on a computerised calibration system

Analog Output (order code A1, A4) – see graph on page 31

Voltage output range		
9-30V supply	Vdc	Absolute voltage, 0.5 to 4.5 (A1) or 0.1 to 4.9 (A4) over measurement range (±3%)
5V supply	Vdc	Ratiometric output voltage - 10 to 90% (A1) or 2 to 98% (A4) of Vs over measurement range (±1%)
Monotonic range	Vdc	0.25 (5%) and 4.75 (95%) nominal (A1)
	Vdc	0.05 (1%) and 4.95 (99%) nominal (A4)
Load resistance	Ω	10k minimum (resistive to GND)
Output noise	mVrms	<1
Input/output delay	mS	<2

PWM Output (order code Pn) – see output characteristics on page 31

PWM frequency	Hz	244 (P1); 500 (P2); or 1000 (P3) ±20% over temperature range
PWM levels	9-30V supply Vdc	0 and 5 nominal (±3%)
	5V supply Vdc	0 and Vs (±1%)
Duty cycle	%	10 to 90 over measurement range
Monotonic range	%	5 and 95 nominal
Load resistance	Ω	10k minimum (resistive to GND)
Rise/fall time	µS	<15

MECHANICAL

Mechanical angle	°	360, continuous
Operating torque	g-cm	10
Maximum rotational speed	°/sec	3600
Weight	g	<30
Mounting		Use 2 x M4 socket head cap screws and M4 washer - maximum tightening torque 2Nm
Phasing		When shaft drive detail is aligned as shown in Electrical Angle Diagram (page 21), output is at mid travel. The sensor housing allows for ±10° adjustment via the mounting flange slots.

TPS280DP

ENVIRONMENTAL

Protection class		IP68 (to 2m depth for 1 hour) and IP69K
Life		60 million operations (30 x 10 ⁶ cycles) of ±75°; Sensing element life is essentially infinite (contactless)
Dither life		Contactless - no degradation due to shaft dither
Operational temperature†	°C	-40 to +140 (5V supply) and +170°C for 72 hours -40 to +135.7 (9V supply option) Derate upper temperature limit by 1.7°C for every 1V increase in supply; e.g. -40 to +100 @30V
Storage temperature	°C	-55 to +140
Vibration		BS EN 60068-2-64:1995 Sec 8.4 (31.4gn rms) 20 to 2000Hz Random
Shock		3m drop onto concrete and 2500g
EMC Immunity level		BS EN 61000-4-3:1999, to 100V/m, 80MHz to 1GHz and 1.4GHz to 2.7GHz (2004/108/EC)

† See Maximum Operating Temperature – Derating graph on page 30.
If the maximum operating temperature is exceeded, the voltage regulator will shut down to protect the device from overheating

OPTIONS

Measurement range (angle)		Select from 20° to 360° in 1° increments (factory programmed) for each output channel
Output		Analog voltage (An) or PWM (Pn)
Output direction		Both clockwise, both anticlockwise or one CW, one ACW
Cable length	m	0.2 or 0.5
Connector		Not fitted (C0) or Mini Sure Seal MSS4R fitted (C1)
OEM options		Outputs can be programmed to provide: non linear laws; switch outputs; clamp voltages; different output phasing CH1/CH2; faster input/output delay; extended analog range; and output mapping for potentiometer replacements.

AVAILABILITY

All standard configurations can be supplied rapidly from the factory – check with your local supplier for more details

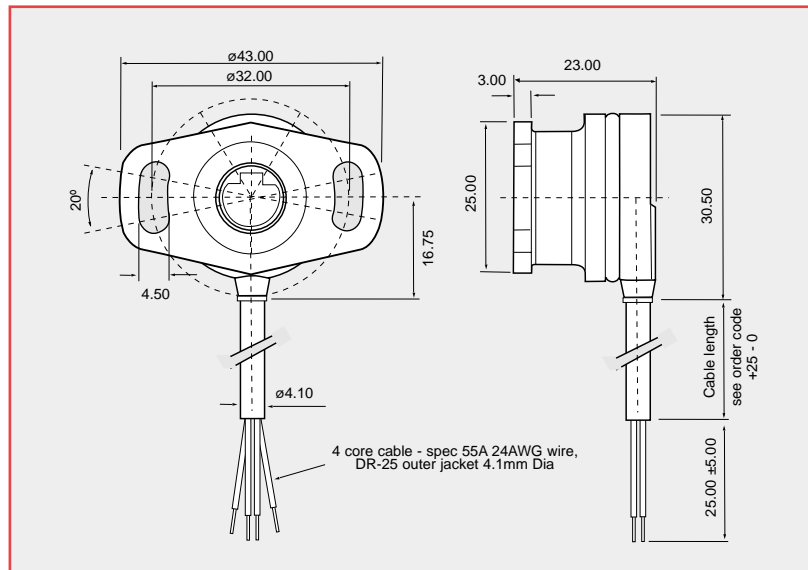
ORDERING CODES

			TPS280DP/...../...../...../...../...../.....
Measurement range	CH1 = angle in °	_____	_____
Measurement range	CH2 = angle in °	_____	_____
Output	A1 = Analog 0.5-4.5Vdc A4 = Analog 0.1-4.9Vdc P1 = PWM, 244 Hz P2 = PWM, 500 Hz P3 = PWM, 1000 Hz	_____	_____
Direction	3 = Both clockwise 4 = Both anticlockwise 5 = CH1 CW; CH2 ACW	_____	_____
Cable length	P2 = 0.2m P5 = 0.5m	_____	_____
Connector	C0 = No connector C1 = Mini Sure Seal MSS4R	_____	_____

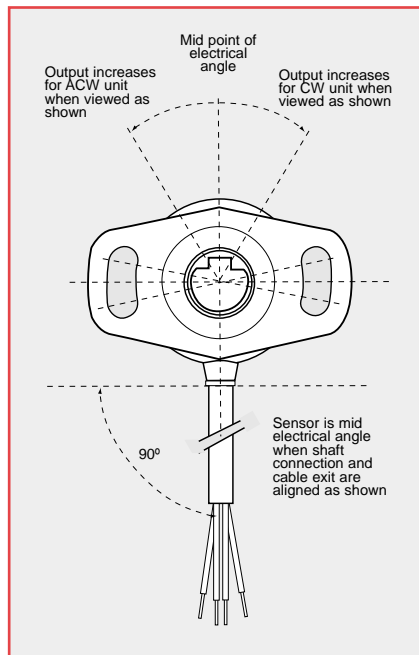
Accessories (order all items separately)
Mating connector – X61-227-002 Mini Sure Seal MSS4P
X61-227-201 PIN contact (2off required)
X61-227-202 SOCKET contact (2off required)

DIMENSIONS

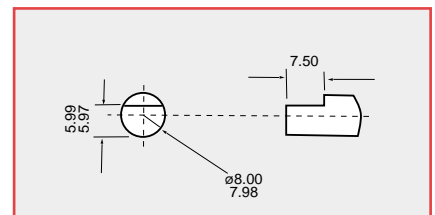
Note: drawings not to scale



ELECTRICAL ANGLE



RECOMMENDED MATING DRIVE



ELECTRICAL CONNECTIONS

Option C0 - 200 or 500mm of 4-core cable: FDR-25 sheathed, with 55A spec (24AWG) cores

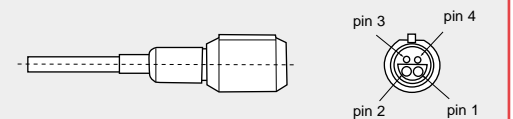
Option C1 - Mini sure seal MSS4R fitted to cable

Cable colour	Description
Red	+V Supply
Black	0V Supply GND
Yellow	CH1 Output
White	CH2 Output

Output increases with CW or ACW rotation viewed on shaft drive - depending on selected order code

C1 Connector option

Pin 1 = V+ Supply Pin 3 = CH1 Output
Pin 2 = 0V Supply GND Pin 4 = CH2 Output



When connecting the sensor, care should be taken with the correct connections. The sensor is provided with reverse polarity protection and short circuit protection between outputs (Yellow & White) to GND (Black), **but if the outputs (Yellow & White) are connected to the supply this will result in device failure.**