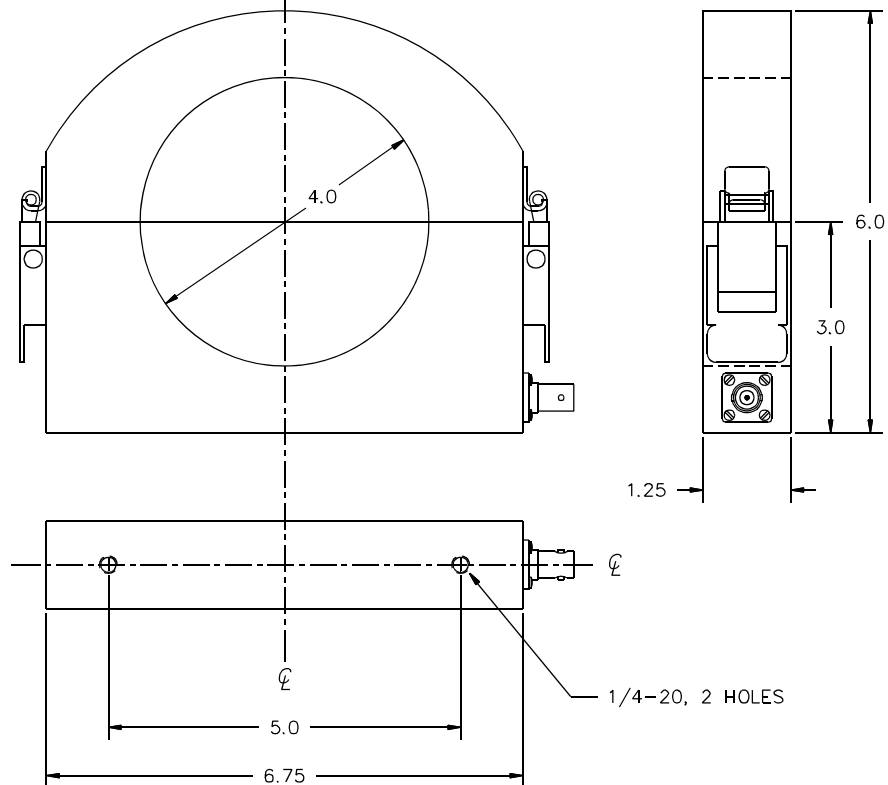


PEARSON™ CLAMP-ON CURRENT MONITOR MODEL 7805



Sensitivity	1.0 Volt/Ampere $\pm 1\%$
Output resistance	50 Ohms
Maximum peak current	500 Amperes
Maximum rms current	15 Amperes
Drop rate	0.7 %/microsecond
Useable rise time	25 nanoseconds
Current time product	0.004 Ampere-second max
Low frequency 3dB point	1,000 Hz (typical)
High frequency 3dB point	25 MHz (typical)
I/f figure	0.02 rms Amperes/Hz
Output connector	BNC (UG-290 A/U)
Operating temperature	0 to 65°C
Weight	6 pounds

© 2005 Pearson Electronics, Inc. 7805.wpd 050330



Pearson Electronics, Inc. • 4009 Transport Street • Palo Alto, CA 94303
Telephone 650-494-6444 • FAX 650-494-6716 • www.pearsonelectronics.com

擎昱實業有限公司 TOPE Co., Ltd. 23552 台北縣中和市中正路716號3樓之4 (遠東世紀廣場 L棟)
Tel: (02) 8228-0658 * Fax: (02) 8228-0659 * e-mail: tope@ms1.hinet.net * <http://www.sensor.tw>