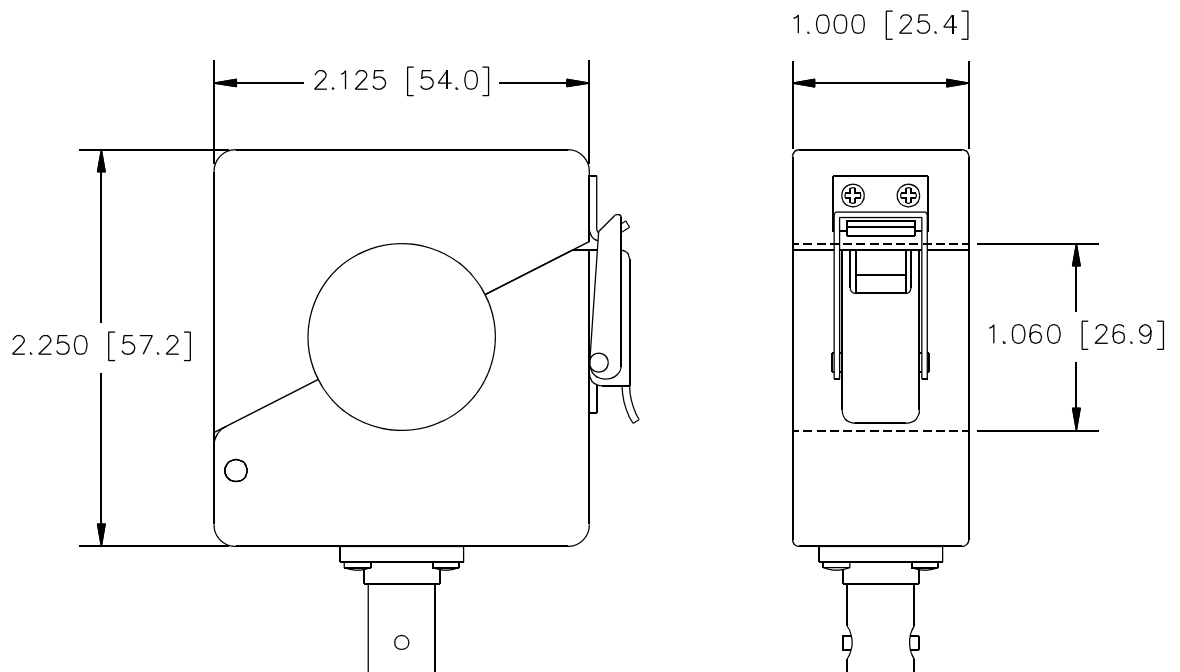


PEARSON™ CURRENT MONITOR MODEL 7790



Sensitivity	1.0 V/A $\pm 1\%$
Output resistance	50 Ω
Maximum peak current	500 A
Maximum rms current	5 A
Drop rate	1.0 %/ μ s
Useable rise time	15 ns
Current time product	0.002 A·s maximum
Low frequency 3dB point	1500 Hz (approximate)
High frequency 3dB point	25 MHz (approximate)
I/f figure	0.01 A _{rms} /Hz
Output connector	BNC
Operating temperature	0 to 65 °C
Weight	16 oz (454 gm)
Hinged clamp-on design for one-handed mounting	

© 2005 Pearson Electronics 7790.wpd 050330



Pearson Electronics, Inc. • 4009 Transport Street • Palo Alto, CA 94303
Telephone 650-494-6444 • FAX 650-494-6716 • www.pearsonelectronics.com

擎崑實業有限公司
Tope Co., Ltd.

23552 台北縣中和市中正路716號3樓之4 (遠東世紀廣場 L棟)
Tel: (02) 8228-0658 * Fax: (02) 8228-0659 * e-mail: tope@ms1.hinet.net * <http://www.sensor.tw>