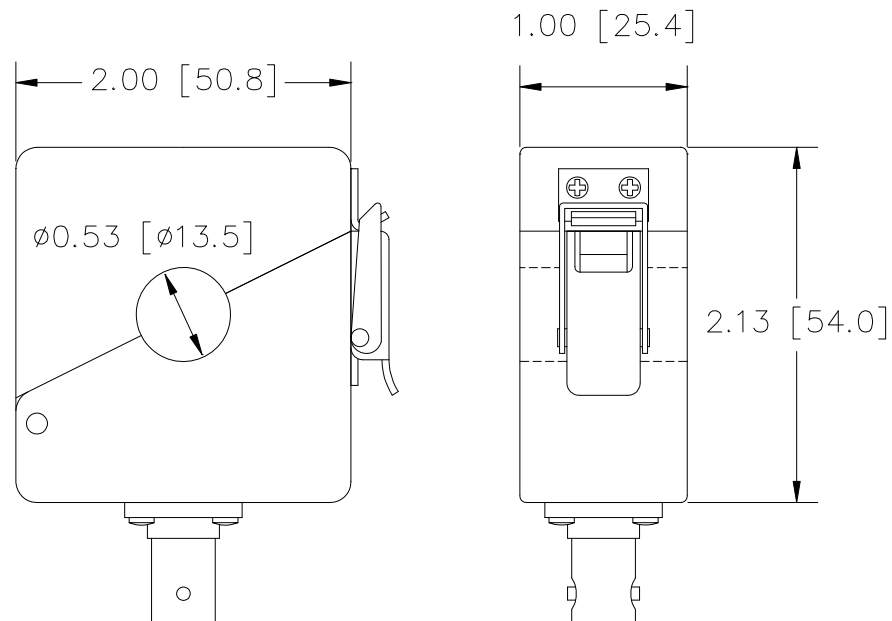


PEARSON™ CURRENT MONITOR MODEL 5008C



Sensitivity	0.01 V/A $\pm 1\%$
Output resistance	50 Ω
Maximum peak current	50,000 A
Maximum rms current	150 A
Droop rate	10 %/ms
Useable rise time	150 ns
Current time product	1 A-s maximum
Low frequency 3dB point	15 Hz (approximate)
High frequency 3dB point	3 MHz (approximate)
I/f figure	4.2 A _{rms} /Hz
Output connector	BNC (UG-290A/U)
Operating temperature	0 to 65 °C
Weight	13 oz (360 gm)

© 2004 Pearson Electronics 5008C.wpd 040227



Pearson Electronics, Inc. • 4009 Transport Street • Palo Alto, CA 94303
Telephone 650-494-6444 • FAX 650-494-6716 • www.pearsonelectronics.com

擎崑實業有限公司 23552 台北縣中和市中正路716號3樓之4 (遠東世紀廣場 L棟)
TOPE Co., Ltd. Tel: (02) 8228-0658 * Fax: (02) 8228-0659 * e-mail: tope@ms1.hinet.net * <http://www.sensor.tw>