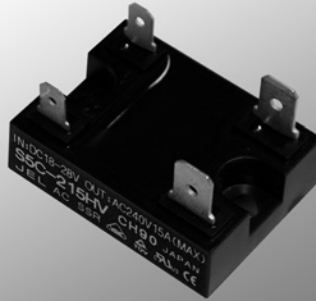


AC Solid State Relay



S5 SERIES



Features

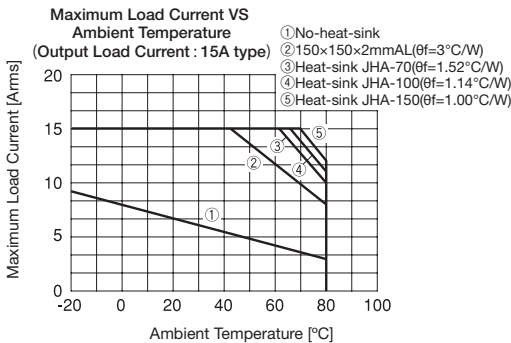
- Small size, medium power SSR
- Max. load current at 15A, 25A
- Dielectric strength between input and output at 3,000V/1 min.
- Wider input voltage (L, M, H)
- UL/C-UL/VDE/TÜV standard approved
- Optional heat-sink available (P75)

Type Information

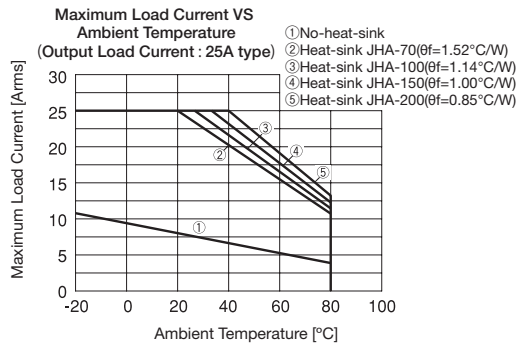
S 5 C - 2 2 5 L V				
Zero-cross-circuit	Standard load voltage	Max. load current	Input voltage range	Approved Standard
C : Built-in N : Not Built-in(*)	2 : 100V, 200V	15 : 15A 25 : 25A	L : DC4 ~ 8V M : DC8 ~ 18V H : DC18 ~ 28V	V : UL, C-UL, VDE, TÜV approved
				* Manufactured to order

Characteristics

S5C-215V, S5N-215V

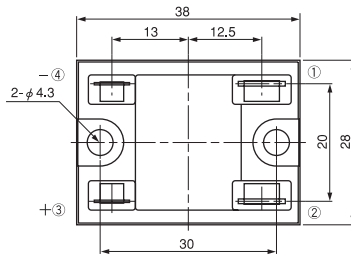


S5C-225V, S5N-225V

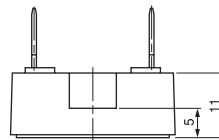
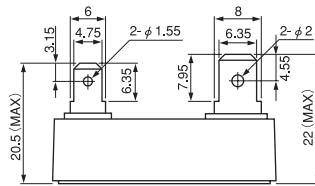


※ Description in the catalogue is subject to change without notice. Please read the specifications thoroughly before using.
 ※ Please contact JEL SYSTEM for further information.

Dimensions (mm)

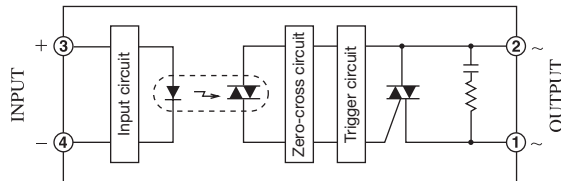


※ Torque range
Outer case 1.5 N · m (MAX)



(1, 2 : Faston terminal # 250 t=0.8 Tin plate)
(3, 4 : Faston terminal # 187 t=0.5 Tin plate)

Equivalent Circuit



Model	Zero-cross circuit
S5C-215/225 * *	○
S5N-215/225 * *	×

※ Description in the catalogue is subject to change without notice. Please read the specifications thoroughly before using.
※ Please contact JEL SYSTEM for further information.

■ Ratings

(Ta = 25 °C)

	Item	Symbols	S5C-215LV	S5C-215MV	S5C-215HV	S5N-215LV	S5N-215MV	S5N-215HV	Units
Output	Rated Load Voltage	—	120, 240						V _{ACrms}
	Maximum Load Current	I _{OMAX}	15						A _{ACrms}
	Maximum Load Voltage	V _{OMAX}	264						V _{ACrms}
	Peak Repetitive Off State Voltage	V _{DRM}	600						V
	Peak 1 Cycle Surge Current	I _{SURGE}	150 (50Hz)						A
	Frequency	f	50, 60						Hz
Input	Maximum Input Voltage	V _{IMAX}	8	18	28	8	18	28	V _{DC}
	Input Impedance	R _{IN}	270 ± 20%	680 ± 20%	1500 ± 20%	270 ± 20%	680 ± 20%	1500 ± 20%	Ω
General	Dielectric Strength	V _{ISO}	3,000/1 min. (Between input-output-case)						V _{ACrms}
	Isolation Resistance	R _{ISO}	10 ⁸ and above DC500V (Between input-output-case)						Ω
	Operating Temperature Range	T _{OPR}	- 20 ~ + 80						°C
	Storage Temperature Range	T _{STG}	- 30 ~ + 100						°C

■ Electrical Characteristics

(Ta = 25 °C)

	Item	Symbols	S5C-215LV	S5C-215MV	S5C-215HV	S5N-215LV	S5N-215MV	S5N-215HV	Units
Output	Load Voltage Range	V _O	35 ~ 264						V _{ACrms}
	Off State Leakage Current	I _{LEK}	5.0 and below (V _O = 200V)						mA _{ACrms}
	On State Voltage Drop	V _{SAT}	1.5 and below						V _{ACrms}
	Minimum Load Current	I _{OMIN}	100						mA
Input	Input Voltage Range	V _I	4 ~ 8	8 ~ 18	18 ~ 28	4 ~ 8	8 ~ 18	18 ~ 28	V _{DC}
	Operate Voltage	V _P	4 and below	8 and below	18 and below	4 and below	8 and below	18 and below	V _{DC}
	Release Voltage	V _D	1 and above						V _{DC}
General	Operate Time	T _{ON}	1/2 Cycle + 1 ms and below			1 ms and below			/
	Release Time	T _{OFF}	1/2 Cycle + 1 ms and below						/
	Capacitance	C _{IO}	80 and below						PF
	Zero Cross Turn On		Built In			Not Built In			/
	Approved Standards		UL, C-UL, VDE, TÜV						/

※ Description in the catalogue is subject to change without notice. Please read the specifications thoroughly before using.

※ Please contact JEL SYSTEM for further information.

■ Ratings

(Ta = 25 °C)

	Item	Symbols	S5C-225LV	S5C-225MV	S5C-225HV	S5N-225LV	S5N-225MV	S5N-225HV	Units
Output	Rated Load Voltage	—	120、240						V _{ACrms}
	Maximum Load Current	I _{OMAX}	25						A _{ACrms}
	Maximum Load Voltage	V _{OMAX}	264						V _{ACrms}
	Peak Repetitive Off State Voltage	V _{DRM}	600						V
	Peak 1 Cycle Surge Current	I _{SURGE}	225 (50Hz)						A
	Frequency	f	50、60						Hz
Input	Maximum Input Voltage	V _{IMAX}	8	18	28	8	18	28	V _{DC}
	Input Impedance	R _{IN}	270 ± 20%	680 ± 20%	1500 ± 20%	270 ± 20%	680 ± 20%	1500 ± 20%	Ω
General	Dielectric Strength	V _{ISO}	3,000/1 min.(Between input-output-case)						V _{ACrms}
	Isolation Resistance	R _{ISO}	10 ⁸ and above DC500V(Between input-output-case)						Ω
	Operating Temperature Range	T _{OPR}	- 20 ~ + 80						°C
	Storage Temperature Range	T _{STG}	- 30 ~ + 100						°C

■ Electrical Characteristics

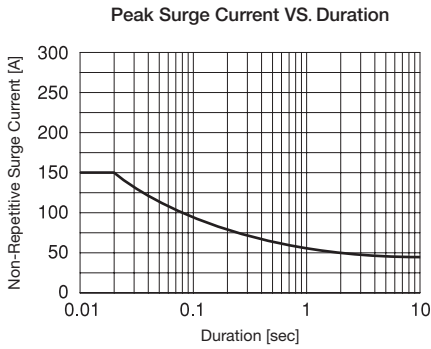
(Ta = 25 °C)

	Item	Symbols	S5C-225LV	S5C-225MV	S5C-225HV	S5N-225LV	S5N-225MV	S5N-225HV	Units
Output	Load Voltage Range	V _O	35 ~ 264						V _{ACrms}
	Off State Leakage Current	I _{LEK}	5.0 and below (V _O = 200V)						mA _{ACrms}
	On State Voltage Drop	V _{SAT}	1.5 and below						V _{ACrms}
	Minimum Load Current	I _{OMIN}	100						mA
Input	Input Voltage Range	V _I	4 ~ 8	8 ~ 18	18 ~ 28	4 ~ 8	8 ~ 18	18 ~ 28	V _{DC}
	Operate Voltage	V _P	4 and below	8 and below	18 and below	4 and below	8 and below	18 and below	V _{DC}
	Release Voltage	V _D	1 and above						V _{DC}
General	Operate Time	T _{ON}	1/2 Cycle + 1 ms and below			1 ms and below			/
	Release Time	T _{OFF}	1/2 Cycle + 1 ms and below						/
	Capacitance	C _{IO}	80 and below						PF
	Zero Cross Turn On		Built In			Not Built In			/
	Approved Standards		UL、C-UL、VDE、TÜV						/

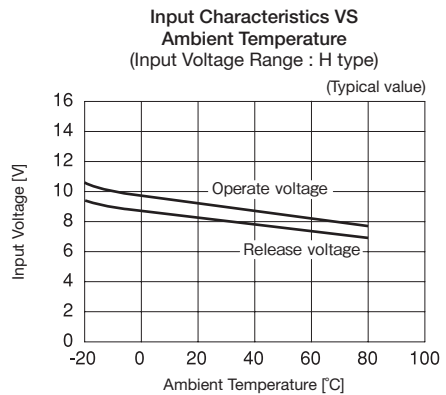
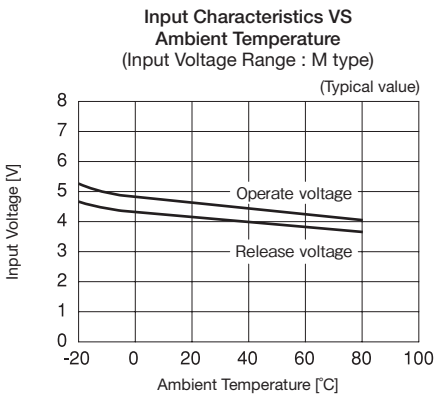
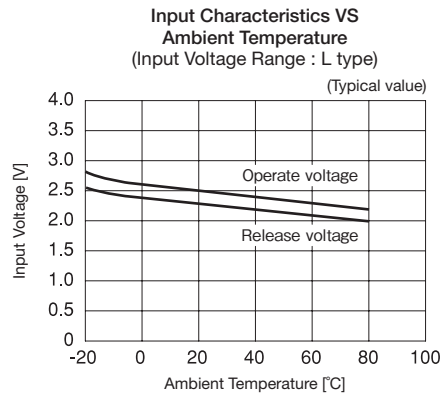
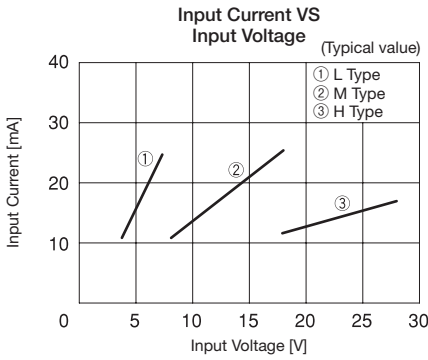
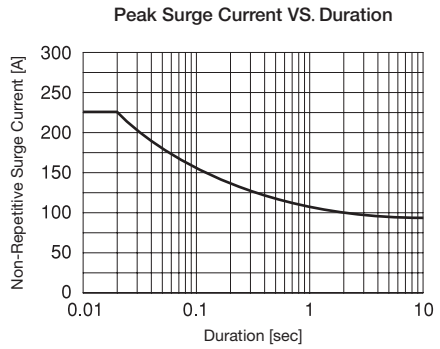
※ Description in the catalogue is subject to change without notice. Please read the specifications thoroughly before using.

※ Please contact JEL SYSTEM for further information.

S5C-215V、S5N-215V



S5C-225V、S5N-225V



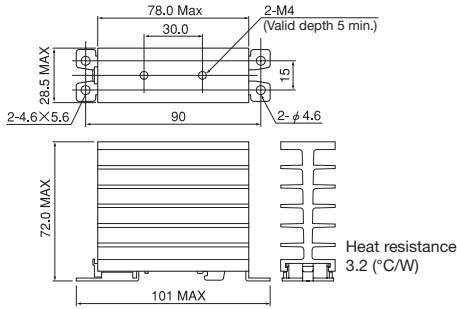
※ Description in the catalogue is subject to change without notice. Please read the specifications thoroughly before using.
 ※ Please contact JEL SYSTEM for further information.

Option

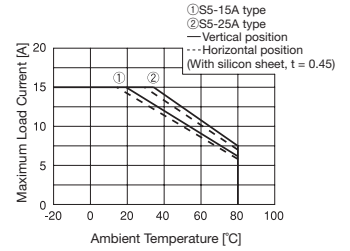
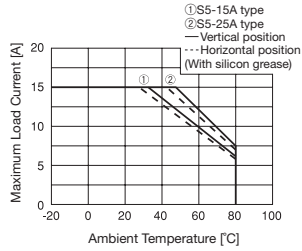
Heat-sink

Model	JHC-28-1
SUITABLE SSR	S5 Series

● Dimensions

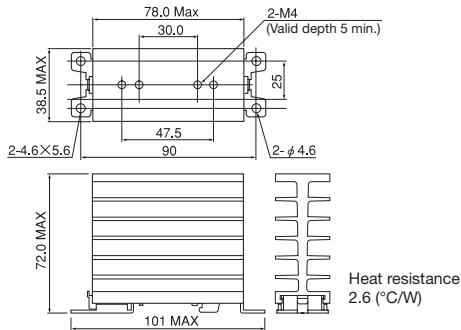


● Maximum Load Current VS Ambient Temperature

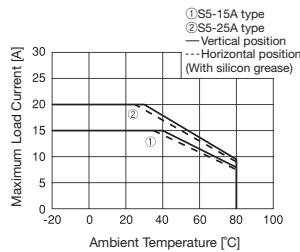


Model	JHC-38-1
SUITABLE SSR	S5C Series

● Dimensions

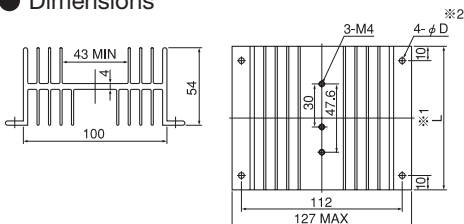


● Maximum Load Current VS Ambient Temperature



Model	JHA-□□□
SUITABLE SSR	S5C Series

● Dimensions



Model	Heat Resistance (°C/W)	※1 L (mm) Dimensions	※2 D (mm) Dimensions
JHA-70	1.52	70	4
JHA-100	1.14	100	4
JHA-150	1.00	150	4.5
JHA-200	0.85	200	4

※ Description in the catalogue is subject to change without notice. Please read the specifications thoroughly before using.

※ Please contact JEL SYSTEM for further information.