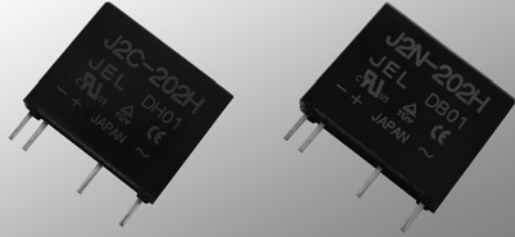


AC Solid State Relay



J2 SERIES

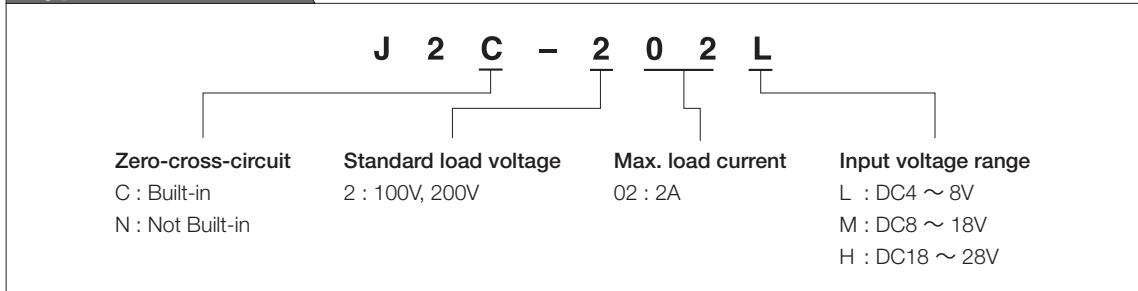


Solid State Relay
J2 series

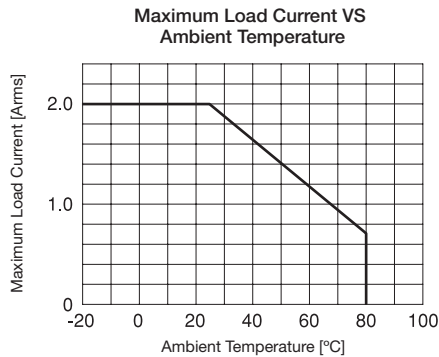
Features

- Small size, Slim appearance
- Max. load current at 2A
- Available for PCB high-density packaging
- Dielectric strength between input and output at 3,000V/1 min. (Reinforced insulation)
- UL/C-UL/TÜV standard approved
- Optional socket available

Type Information

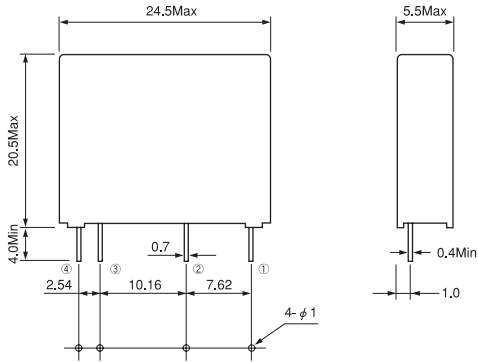


Characteristics



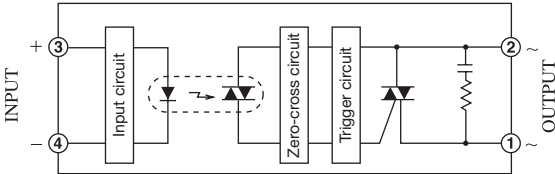
※ Description in the catalogue is subject to change without notice. Please read the specifications thoroughly before using.
 ※ Please contact JEL SYSTEM for further information.

Dimensions (mm)



Dimensions For PCB Design

Equivalent Circuit



Model	Zero-cross circuit
J2C-202 *	○
J2N-202 *	×

※ Description in the catalogue is subject to change without notice. Please read the specifications thoroughly before using.
 ※ Please contact JEL SYSTEM for further information.

■ Ratings

(Ta = 25 °C)

	Item	Symbols	J2C-202L	J2C-202M	J2C-202H	J2N-202L	J2N-202M	J2N-202H	Units
Output	Rated Load Voltage	—	120, 240						V _{ACrms}
	Maximum Load Current	I _{OMAX}	2						A _{ACrms}
	Maximum Load Voltage	V _{OMAX}	264						V _{ACrms}
	Peak Repetitive Off State Voltage	V _{DRM}	600						V
	Peak 1 Cycle Surge Current	I _{SURGE}	30 (60Hz)						A
	Frequency	f	50, 60						Hz
Input	Maximum Input Voltage	V _{IMAX}	8	18	28	8	18	28	V _{DC}
	Input Impedance	R _{IN}	270 ± 20%	680 ± 20%	1500 ± 20%	270 ± 20%	680 ± 20%	1500 ± 20%	Ω
General	Dielectric Strength	V _{ISO}	3,000/1 min.(Between input and output)						V _{ACrms}
	Isolation Resistance	R _{ISO}	10 ⁹ and above DC500V(Between input and output)						Ω
	Operating Temperature Range	T _{OPR}	- 20 ~ + 80						°C
	Storage Temperature Range	T _{STG}	- 30 ~ + 100						°C

■ Electrical Characteristics

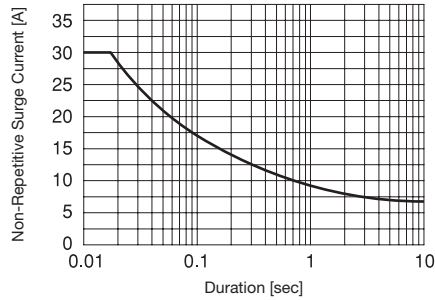
(Ta = 25 °C)

	Item	Symbols	J2C-202L	J2C-202M	J2C-202H	J2N-202L	J2N-202M	J2N-202H	Units
Output	Load Voltage Range	V _O	35 ~ 264						V _{ACrms}
	Off State Leakage Current	I _{LEK}	2.0 and below(V _O = 200V)						mA _{ACrms}
	On State Voltage Drop	V _{SAT}	1.5 and below						V _{ACrms}
	Minimum Load Current	I _{OMIN}	20						mA
Input	Input Voltage Range	V _I	4 ~ 8	8 ~ 18	18 ~ 28	4 ~ 8	8 ~ 18	18 ~ 28	V _{DC}
	Operate Voltage	V _P	4 and below	8 and below	18 and below	4 and below	8 and below	18 and below	V _{DC}
	Release Voltage	V _D	1 and above						V _{DC}
General	Operate Time	T _{ON}	1/2 Cycle + 1ms and below			1ms and below			/
	Release Time	T _{OFF}	1/2 Cycle + 1ms and below						/
	Capacitance	C _{IO}	15 and below						PF
	Zero Cross Turn On		Built In			Not Built In			/
	Approved Standards		UL, C-UL, TÜV						/

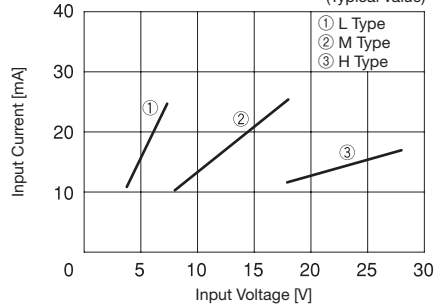
※ Description in the catalogue is subject to change without notice. Please read the specifications thoroughly before using.

※ Please contact JEL SYSTEM for further information.

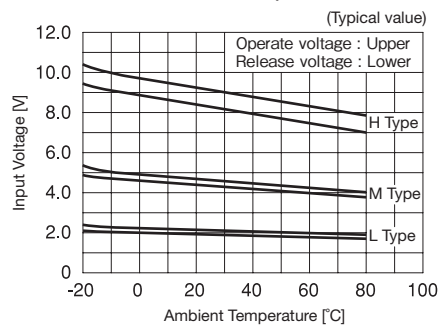
Peak Surge Current VS Duration



Input Current VS Input Voltage (Typical value)



Input Characteristics VS Ambient Temperature (Typical value)



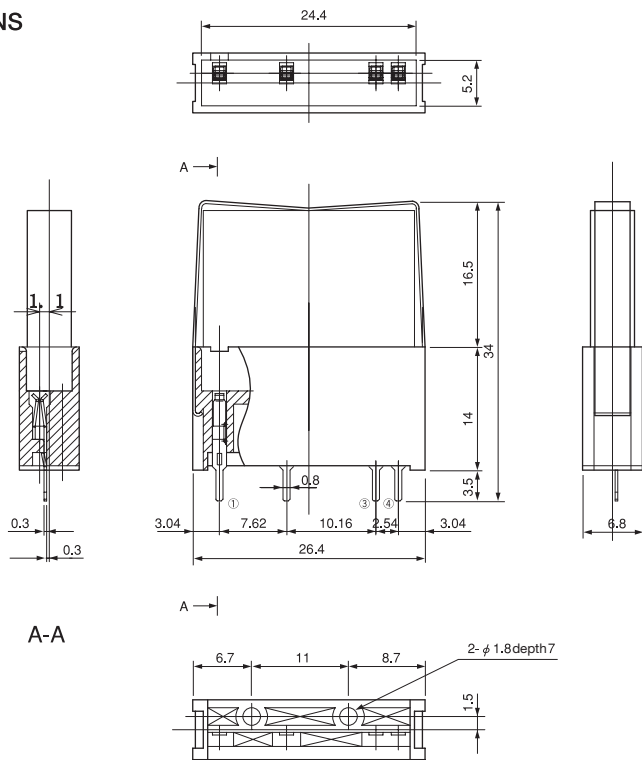
※ Description in the catalogue is subject to change without notice. Please read the specifications thoroughly before using.
 ※ Please contact JEL SYSTEM for further information.

Option

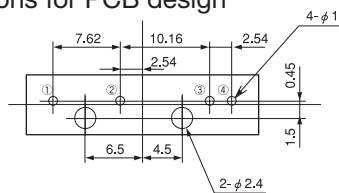
SOCKET

MODEL	PS-J201
SUITABLE SSR	J2 SERIES

● DIMENSIONS



Dimensions for PCB design



※ Description in the catalogue is subject to change without notice. Please read the specifications thoroughly before using.
 ※ Please contact JEL SYSTEM for further information.